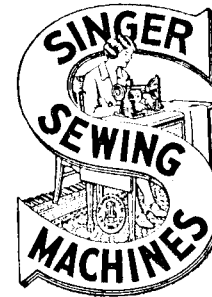


Form 2266w
June, 1935
PRINTED IN U. S. A.

LIST OF PARTS



From the library of: Diamond Needle Corp

MACHINE No. 71-108

THE SINGER MANUFACTURING COMPANY

Copyright, U. S. A.,
1916, 1925, 1929, 1932, 1933 and 1935,
by The Singer Manufacturing Co.
All Rights Reserved for all Countries

INDEX

	PAGE
ACCESSORIES	24
BOBBIN WINDER	24
IRON BASE	25
KNIFE GRINDER	28
MACHINE NO. 71-108	7
MISCELLANEOUS PARTS	29
NUMERICAL LIST OF PARTS	31
TABLE BELT GUIDES	26
THREAD UNWINDER	26
TREADLE	27

Singer Sewing Machine Corp.

Parts for Machine No. 71-108

No.	Plate	Name
190D	14985	Arm Side Cover Screw
249604	15025	" Top Cover (left)
249605	15025	" " " (right)
190D	14985	" " " Screw (4)
249606	15024	Barring Lever
1478C	14982	" " Hinge Screw
249607	14982	" " Spring
1330C	14982	" " " Screw Stud
249954	15023	" Plate (2)
350229E	14982	" " Screw (2)
249610	14982	" Point
191C	14982	" " Screw
249611	14982	" Shaft with 452C
201713C	14982	" " Adjusting Lock Nut (2)
249612	14982	" " Guard
208D	4083	" " " Screw (2)
249613	14982	" Slide
249740	14982	" " Operating Plate (adjustable)
223D	4008	Barring Slide Operating Plate (adjustable) Screw
350253C	14982	Barring Slide Operating Plate Adjusting Screw
1607E	14982	Barring Slide Operating Plate Adjusting Screw Nut
249614	14982	Barring Slide Operating Plate (stationary)
228D	14982	Barring Slide Operating Plate (stationary) Screw (2)
249615	14982	Barring Slide Operating Rod
249616	14982	" " " " Stud
249619	14982	" " Stop
704E	14982	" " " Attaching Screw
898C	—	" " " Screw (adjustable)
452C	15040	Barring Slide Stop Screw (adjustable) Set Screw
*249620	—	Bed
262002	15038	" Oil Guard with 249883
249883	14985	" " " Oil Tube (brass)
1235F	15023	" " " Screw (2)
249853	14985	Belt Shifter with 350287C
249854	14985	" " Operating Collar with 350329C
350329C	15040	Belt Shifter Operating Collar Set Screw
249855	14985	Belt Shifter Operating Rod
350287C	14985	" " " " " Set Screw

Parts for Machine No. 71-108

No.	Plate	Name
350287C	14985	Belt Shifter Set Screw
249856	15024	" " Shaft
249857	15024	" " " Bracket
350288C	14985	" " " " Hinge Screw
249858	15024	" " " " Extension with 51047E
51047E	14985	Belt Shifter Shaft Bracket Extension Pinch Screw
158E	4024	Belt Shifter Shaft Bracket Extension Screw
23554	—	Belt Shifter Shaft Bracket Spring
350338E	—	" " " " " " Screw Stud (lower)
350339E	—	Belt Shifter Shaft Bracket Spring Screw Stud (upper)
249860	14985	Belt Shifter Shaft Bracket Stop
249655	15039	" " " " " Plate
178D	15040	Belt Shifter Shaft Bracket Stop Plate Screw
191C	14982	Belt Shifter Shaft Bracket Stop Screw
249861	14985	Belt Shifter Shaft Guide Collar with 237F
2269	14978	Belt Shifter Shaft Guide Collar Position Pin
237F	15023	Belt Shifter Shaft Guide Collar Set Screw
249862	14985	Belt Shifter Shaft Spring
39882	—	" " Stop Washer
249863	14985	" " Trip Point
756E	14985	" " " " Screw
249864	14985	" " " Stud
161D	14985	Bobbin Winder Base Screw (2)
39539V	15025	Clamp Arm
625F	15023	" " Adjusting Screw (2)
1547J	15023	" " " " Nut (2)
39540	15039	" " Bracket with 196F
191C	14982	" " " Screw (3)
39541	14987	" " " " Washer (3)
23379	4007	" " Hinge Block
23380	4007	" " " " Pin
196F	4007	" " " " " Set Screw
402D	4007	Clamp Arm Screw (3)
249996	15039	" Carrier
40006	14987	" " Block with 40007 and four 404D

Parts for Machine No. 71-108

No.	Plate	Name
40007	14987	Clamp Carrier Block Plate
404D	4007	" " " " Screw
23384	4007	" " Connecting Rod
52C	4007	" " " " Hinge Screw
249958	15027	Clamp Carrier Guard
244D	15023	" " " " Screw
39591	14987	" " Guide (left)
756D	14985	" " " " Screw (long)
23385	15040	Clamp Carrier Guide (right)
1230F	4007	" " " " Screw (3)
249959	15025	Clamp Carrier Plate
1231F	4007	" " " " Screw (back) (2)
404D	4007	Clamp Carrier Plate Screw (front) (2)
249960	15025	Clamp Carrier Regulator with 240D, 1960 and 39583
1232C	4007	Clamp Carrier Regulator Hinge Screw
1960	4007	Clamp Carrier Regulator Roller and Screw Stud with 1520J
1520J	14987	Clamp Carrier Regulator Roller and Screw Stud Nut
249895	—	Clamp Carrier Regulator Slide
350076C	14987	" " " " Stud (to regulate length of buttonhole)
1671C	15023	Clamp Carrier Regulator Stud Nut
39532	15023	" " " " Sleeve
39583	14987	" " " " Stop
240D	14987	" " " " " " Screw
249997	15039	Clamp Carrier Slide with 39591 and three 756D
23392	4008	Clamp Carrier Slide Guide (left)
23393	4008	" " " " (right)
914F	4008	Clamp Carrier Slide Guide Screw (4)
249625	15024	Clamp Carrier Slide Lever with 1960
23395	14987	" " " " Regulator
23396	4008	" " " " " " Cap
223D	4008	Clamp Carrier Slide Lever Regulator Cap Screw (4)
67D	4008	Clamp Carrier Slide Lever Regulator Screw

Parts for Machine No. 71-108

No.	Plate	Name
1960	4007	Clamp Carrier Slide Lever Roller and Screw Stud with 1520J
1520J	14987	Clamp Carrier Slide Lever Roller and Screw Stud Nut
7278	4008	Clamp Carrier Slide Lever Socket Joint
1234C	4008	Clamp Carrier Slide Regulating Stud
23397	4008	Clamp Carrier Slide Regulating Stud Bushing
1658C	4008	Clamp Carrier Slide Regulating Stud Bushing Thumb Nut
1256D	4008	Clamp Carrier Slide Screw (2)
39546	15040	" Check, for 1½ in. buttonhole
39547	15040	" " Adjusting Plate
219F	4008	" " " " Screw (3)
109D	4008	Clamp Check Hinge Screw (2)
39548	15040	" " " " Holder
1297F	15040	" " " " Screw (2)
39717	15039	" Lifting Arm
1235F	15023	" " " " Screw (3)
40020Y	15025	" Plate
1235F	15023	" " " " Screw (4)
249964	15027	" " Support
402D	4007	" " " " Screw (2)
23574	15024	" Post
1659C	15023	" Pressure Regulating Thumb Nut
39514	15023	Clamp Spring
23693Y	15023	" " Bushing
1294C	15023	" " " " Position Stud
1550J	15023	" " " " " " Nut
24028	15024	Crank Connecting Rod with 24085 and two 896E
*24085	—	Crank Connecting Rod Cap
896E	15040	" " " " " " Screw
908C	15040	" " " " " " Hinge Screw
1619E	15040	" " " " " " " " Nut
249631	15025	Face Plate
217F	15040	" " " " " " Screw (lower)
190D	14985	" " " " " " (upper)
249846	15024	Feed Driving Gear with two 448C
249965	15027	" " " " (intermediate) with two 457E
249966	15027	Feed Driving Gear (intermediate) (large), for stud

Parts for Machine No. 71-108

No.	Plate	Name
249967	15027	Feed Driving Gear (intermediate) (small), for stud
249968	15027	Feed Driving Gear (intermediate), for swing bracket
249969	15027	Feed Driving Gear (intermediate) Bracket
249904	15027	Feed Driving Gear (intermediate) Bracket Position Lever
1178D	14987	Feed Driving Gear (intermediate) Bracket Position Lever Clamping Screw
249970	15027	Feed Driving Gear (intermediate) Pinion Shaft
249745	15023	Feed Driving Gear (intermediate) Pinion Shaft Collar with two 458c
458c	14987	Feed Driving Gear (intermediate) Pinion Shaft Collar Set Screw
249849	15023	Feed Driving Gear (intermediate) Pinion Shaft Eccentric Bushing
249844	14987	Feed Driving Gear (intermediate) Pinion Shaft Eccentric Bushing Position Plate
161D	14985	Feed Driving Gear (intermediate) Pinion Shaft Eccentric Bushing Position Plate Screw
232719	14987	Feed Driving Gear (intermediate) Position Pin
457E	14987	Feed Driving Gear (intermediate) Set Screw
249971	15023	Feed Driving Gear (intermediate) Stud
249972	15027	Feed Driving Gear (intermediate) Swing Bracket
350310D	15023	Feed Driving Gear (intermediate) Swing Bracket Screw
232131	14987	Feed Driving Gear (intermediate) Swing Bracket Screw Washer
40025	14987	Feed Driving Gear Position Pin
448C	14987	" " " Set Screw
249913	—	Feed Hand Ratchet Device complete, Nos. 95c, 158E, 646F, 50416c, 201721c, 249904, 249909 to 249912, 249914, 249922, 249923, 250444, 250329c, 350337c and two 99c
249905	15027	Feed Hand Ratchet Lever
23414	15040	" " " " Collar with two 453c
453c	15026	Feed Hand Ratchet Lever Collar Set Screw

Parts for Machine No. 71-108

No.	Plate	Name
249906	15027	Feed Hand Ratchet Lever Extension Handle
160H	15037	Feed Hand Ratchet Lever Extension Handle Screw
249907	15037	Feed Hand Ratchet Lever Pawl with 232382
90D	14987	Feed Hand Ratchet Lever Pawl Hinge Screw
250058	15037	Feed Hand Ratchet Lever Pawl Spring
232382	15037	Feed Hand Ratchet Lever Pawl Spring Pin
1449H	15037	Feed Hand Ratchet Lever Pawl Spring Screw
249914	—	Feed Hand Ratchet Lever complete, Nos. 90D, 160H, 1449H, 249905 to 249907 and 250058
39924	15023	Feed Hand Ratchet Wheel with 460c
3012	15023	Feed Hand Ratchet Wheel Pin
460c	15023	" " " " Set Screw
249973	15025	" Wheel with 249641 and two 220D (240 stitches, 6 bar)
201668E	15023	Feed Wheel Clamping Nut
249639	15025	" " Shaft
457c	14987	" " " Oil Hole Plug Screw
249640	15027	Feed Wheel Tripping Lever
350237c	15026	" " " " Hinge Screw
1620E	15026	Feed Wheel Tripping Lever Hinge Screw Nut
249868	15026	Feed Wheel Tripping Lever Point
203c	15026	" " " " " Screw (2)
646F	15037	Feed Wheel Tripping Lever Screw Stud
250444	15037	Feed Wheel Tripping Lever Screw Stud Washer
23435	15026	Feed Wheel Tripping Lever Spring
190D	14985	" " " " " Screw
184E	15026	Feed Wheel Tripping Lever Stop Screw
249641	15026	Feed Wheel Tripping Point
220D	15026	" " " " Screw
249642	15027	Intermittent Feed Wheel with two 350249E

Parts for Machine No. 71-108

No.	Plate	Name
249887	15027	Intermittent Feed Wheel Driving Bevel Gear with two 1143E
249644	15029	Intermittent Feed Wheel Driving Bevel Gear Bracket
1396E	15026	Intermittent Feed Wheel Driving Bevel Gear Bracket Screw (2)
350230C	15026	Intermittent Feed Wheel Driving Bevel Gear Cap Screw
249645	15029	Intermittent Feed Wheel Driving Bevel Pinion with two 453C
40025	14987	Intermittent Feed Wheel Driving Bevel Pinion Position Pin
453C	15026	Intermittent Feed Wheel Driving Bevel Pinion Set Screw
201891	15026	Intermittent Feed Wheel Driving Roller
201996	—	Intermittent Feed Wheel Driving Roller 201891 with 229D, 23389 and 249888 (2)
229D	15026	Intermittent Feed Wheel Driving Roller Cap Screw
23389	15026	Intermittent Feed Wheel Driving Roller Cap Screw Washer
249888	15026	Intermittent Feed Wheel Driving Roller Stud
1143E	15026	Intermittent Feed Wheel Driving Roller Stud Set Screw
12546	15026	Intermittent Feed Wheel Position Pin
350249E	15026	Intermittent Feed Wheel Position Screw
249646	15029	Intermittent Feed Wheel Shaft
249738	15026	“ “ “ “ Col- lar
23451	—	Knife, $\frac{3}{8}$ inch
23452	—	“ $\frac{1}{2}$ inch
23453	—	“ $\frac{3}{4}$ inch
23454	—	“ $\frac{1}{2}$ inch
23455	—	“ 1 inch
23456	15026	“ $1\frac{1}{16}$ inch
23457	—	“ $1\frac{1}{8}$ inch
23458	—	“ $1\frac{3}{16}$ inch
23459	—	“ $1\frac{1}{2}$ inch
39555	—	“ $1\frac{5}{8}$ inch
39556	—	“ $1\frac{3}{4}$ inch
39557	—	“ $1\frac{7}{8}$ inch
39558	—	“ $1\frac{1}{2}$ inch
23460	15029	“ Bar
23461	15026	“ “ Connecting Link

Parts for Machine No. 71-108

No.	Plate	Name
1239D	15026	Knife Bar Connecting Link Hinge Cap Screw
1240C	15026	Knife Bar Connecting Link Hinge Screw
23462	15026	Knife Bar Connecting Stud with 1319F
1319F	15026	Knife Bar Connecting Stud Clamping Screw
249656	15029	Knife Bar Disengaging Lever with 1242E
249657	15029	Knife Bar Disengaging Lever Catch with 1963
249658	15029	Knife Bar Disengaging Lever Catch Bracket with 1242E and 238089
238089	15026	Knife Bar Disengaging Lever Catch Bracket Position Pin
50416C	15026	Knife Bar Disengaging Lever Catch Hinge Screw
1547J	15023	Knife Bar Disengaging Lever Catch Hinge Screw Nut
1963	15026	Knife Bar Disengaging Lever Catch Roller and Stud
249659	15026	Knife Bar Disengaging Lever Catch Spring
1241E	15026	Knife Bar Disengaging Lever Catch Spring Screw Stud
23466	15026	Knife Bar Disengaging Lever Catch Tripping Point
249869	15029	Knife Bar Disengaging Lever Catch Tripping Point Collar with 175E, 756E, 23466, 249863 and two 448C
448C	14987	Knife Bar Disengaging Lever Catch Tripping Point Collar Set Screw
175E	15026	Knife Bar Disengaging Lever Catch Tripping Point Screw
90C	14987	Knife Bar Disengaging Lever Hinge Screw
1242E	15026	Knife Bar Disengaging Lever Screw Stud
249660	15026	Knife Bar Disengaging Lever Spring
1242E	15026	“ “ “ “ “ “ Screw
249661	15025	Knife Bar Driving Lever
350281C	15028	“ “ “ “ “ Hinge Screw
1428C	15026	Knife Bar Driving Lever Screw Stud
1520J	14987	“ “ “ “ “ “ Nut

Parts for Machine No. 71-108

No.	Plate	Name
23681	15028	Knife Bar Driving Lever Spring
805c	15028	" " " " "
		Screw
249662	15025	Knife Bar Driving Lever (intermediate)
144D	15028	Knife Bar Driving Lever (intermediate) Cap Screw
23471	15029	Knife Bar Driving Lever (intermediate) Connecting Lin
54c	15028	Knife Bar Driving Lever (intermediate) Connecting Link Hinge Screw
350243c	15028	Knife Bar Driving Lever (intermediate) Hinge Screw Stud
201510E	11658	Knife Bar Driving Lever (intermediate) Hinge Screw Stud Nut
205634	15028	Knife Bar Driving Lever (intermediate) Hinge Screw Stud Washer
1959	15028	Knife Bar Driving Lever (intermediate) Roller and Screw Stud with 229D and 12424
229D	15026	Knife Bar Driving Lever (intermediate) Roller Cap Screw
12424	15028	Knife Bar Driving Lever (intermediate) Roller Cap Screw Washer
249737	15028	Knife Bar Spring
249544	15028	" " Stop
249545	15028	" " Retainer Plate
50615D	15028	" " " " Screw (2)
39534	4023	Knife Holder
1243c	15028	" " Guide Stud
1608c	15028	" " " " Nut
157c	15028	" " Screw
1547J	15023	" " " Nut
191c	14982	" Screw
23390	15028	" " Washer
39857	15029	Needle Bar with 904F
23476	14993	" " Connecting Link with 794E
794E	14993	Needle Bar Connecting Link Adjusting Screw
1021E	14993	Needle Bar Connecting Link Cap Screw
39601	14993	Needle Bar Connecting Stud with 1341c
1341c	14993	Needle Bar Connecting Stud Set Screw

Parts for Machine No. 71-108

No.	Plate	Name
23477	15029	Needle Bar Crank with 858c, 1036c, 1065c and 1258c
1065c	15041	Needle Bar Crank Position Screw
858c	15028	" " " Set Screw
23478	15029	" " Frame with 4784
249666	15029	" " " Connection
350254F	14993	" " " " Cap Screw
350251c	15028	" " " " Hinge Screw
249667	14993	Needle Bar Frame Driving Gear
249671	14993	" " " " " (intermediate) (large) with 235356
249672	14993	Needle Bar Frame Driving Gear (intermediate) (small)
249669	15029	Needle Bar Frame Driving Gear (intermediate) Bracket with 1149c
250397	14993	Needle Bar Frame Driving Gear (intermediate) Bracket Position Pin
129E	14993	Needle Bar Frame Driving Gear (intermediate) Bracket Screw (2)
201715c	14993	Needle Bar Frame Driving Gear (intermediate) Clamping Nut
235356	14993	Needle Bar Frame Driving Gear (intermediate) Pin
249670	14993	Needle Bar Frame Driving Gear (intermediate) Stud
1149c	14993	Needle Bar Frame Driving Gear (intermediate) Stud Set Screw
200068H	14993	Needle Bar Frame Driving Gear Screw (2)
23610	---	Needle Bar Frame Pitman (hinge screw end)
23609	---	Needle Bar Frame Pitman (regulator end)
190c	14985	Needle Bar Frame Pitman Adjusting Screw
7071	4008	Needle Bar Frame Pitman Adjusting Screw Washer
23611	14993	Needle Bar Frame Pitman (adjustable) complete, Nos. 23609, 23610, two each 190c and 7071
1042c	14993	Needle Bar Frame Pitman Hinge Screw
1547J	15023	Needle Bar Frame Pitman Hinge Screw Nut

Parts for Machine No. 71-108

No.	Plate	Name
249673	14993	Needle Bar Frame Regulator
1038c	14993	" " " " Adjusting Screw
1698c	14993	Needle Bar Frame Regulator Adjusting Screw Nut
7070	4007	Needle Bar Frame Regulator Adjusting Screw Sleeve
39504	15028	Needle Bar Frame Regulator Adjusting Screw Washer
249668	15028	Needle Bar Frame Regulator Hinge Stud
446c	15041	Needle Bar Frame Regulator Hinge Stud Set Screw
673F	15030	Needle Bar Frame Screw Center
1517J	15030	" " " " " Nut
904F	15030	" Set Screw
249674	15031	" Vibrating Gear with two 350249E
12546	15026	Needle Vibrating Gear Position Pin
350249E	15026	" " " " " Screw
39653	15031	Oscillating Rock Shaft
23494	15031	" " " " Hinge Pin with 23421
23421	—	Oscillating Rock Shaft Hinge Pin Oil Hole Plug (leather)
448c	14987	Oscillating Rock Shaft Hinge Pin Set Screw
39654	—	Oscillating Rock Shaft complete, Nos. 4784, 23494 and 39653
4784	—	Oscillating Rock Shaft Oil Pad
39655	15031	" Shaft
39656	4023	" " Bushing (back)
24047	15031	" " " " (front)
249809	15030	" " " " Oil Tube (brass)
39657	15030	Oscillating Shaft Crank
1253c	4023	" " " " Set Screw
39658	4023	Oscillating Shaft Crank complete, Nos. 1636E, 24050, 39657 and two 1253c
19448	15030	Oscillating Shaft Crank Slide Block
226D	15030	" " " " " " Cap Screw
12424	15028	Oscillating Shaft Crank Slide Block Cap Screw Washer
1035c	15030	Oscillating Shaft Crank Slide Block Screw Stud
1636E	15030	Oscillating Shaft Crank Slide Block Screw Stud Nut

Parts for Machine No. 71-108

No.	Plate	Name
24050	—	Oscillating Shaft Crank Slide Block complete, Nos. 226D, 1035C, 12424 and 19448
*249890	—	Pulley (loose) with 200584D
249891	15031	" " Ball Bearing
249892	15031	" " Bushing
200584D	15030	" " Grease Retaining Screw
249893	15031	Pulley (loose, ball bearing) complete, Nos. 249890 to 249892
249702	15031	Pulley (tight) with 454c
40025	14987	" " Pin (2)
454c	15030	" " Set Screw
23500	14995	Shuttle Bobbin
249919	15030	" " Case Hinge, Nos. 2974, 15140 and 249920
15140	14995	Shuttle Bobbin Case Latch
249920	15030	" " " " " Lever
2974	14995	" " " " " Fulcrum Pin
2975	14995	Shuttle Bobbin Case Latch Spring
592E	14995	" " " " " Stop Screw
23501	15030	Shuttle Bobbin Case Position Finger
2523	14995	" " " " " Rivet
249546	14978	Shuttle Bobbin Case Position Plate
391J	14995	" " " " " Screw
249921	15030	Shuttle Bobbin Case complete, Nos. 591E, 592E, 2523, 2975, 15098, 23501 and 249919
23503	14978	Shuttle Body
249918	—	" 1 1/2 in. diam., Nos. 23500, 23503 and 249921
23505	14995	Shuttle Driver with 462c
2269	14978	" " Pin
462c	14978	" " Set Screw
39969	14978	" Race Back
2532	14978	" " " Position Pin
2533	14995	" " " Spring
907E	15030	" " " " Screw
39979	—	" " Body
39980	14995	" " " 39979 with 7326, 249546, two each 391J and 662D
39982	14978	Shuttle Race complete, Nos. 907E, 2533, 39969, 39980 and two 2532

Parts for Machine No. 71-108

No.	Plate	Name
7326	14978	Shuttle Race Cap
662D	14995	" " " Screw
145F	14995	" " " Screw
591F	14978	" Tension Regulating Screw
15098	—	" " Spring
249816	15038	Starting Lever
717C	15030	" " Adjusting Screw
1520J	14987	" " " " Nut
249704	15031	" " Bracket
8582	14985	" " " Dowel Pin (2)
123E	15030	" " " Screw
23511	14992	" " Rod
61C	15030	" " " Hinge Screw
564C	15030	" " Screw Center
58384	—	" " " " 564c with 1508E (2)
1508E	15030	Starting Lever Screw Center Nut
23624	15030	" " Spring
39675	15030	" " " Collar with two 191c
191C	14982	Starting Lever Spring Collar Set Screw
202005	15030	Starting Lever Spring Washer
124F	15030	" " Stop Screw
1518J	15041	" " " Nut
249675	—	Stitch Regulating Gear, 18 teeth
249677	—	" " " 20 teeth
249679	15030	" " " 24 teeth
Note: No. 249679 is furnished with machine unless another Stitch Regulating Gear is specified on order.		
249951	—	Stitch Regulating Gear, 27 teeth
249682	—	" " " 30 teeth
249725	—	" " " 36 teeth
249727	—	" " " 40 teeth
249744	—	" " " 45 teeth
249952	—	" " " 54 teeth
249953	—	" " " 60 teeth
249975	15031	" " " Guard
249923	15027	" " " Disengaging Lever
350337c	15037	Stitch Regulating Gear Disengaging Lever Hinge Screw
249909	15037	Stitch Regulating Gear Disengaging Slide
249910	15037	Stitch Regulating Gear Disengaging Slide Bracket
158E	4024	Stitch Regulating Gear Disengaging Slide Bracket Screw

Parts for Machine No. 71-108

No.	Plate	Name
249911	15037	Stitch Regulating Gear Disengaging Slide Bracket Support Washer
95c	15037	Stitch Regulating Gear Disengaging Slide Operating Screw
99c	15037	Stitch Regulating Gear Disengaging Slide Screw
201721c	15037	Stitch Regulating Gear Guide and Lock Nut
249739	14996	Stitch Regulating Gear Pin
249912	15037	" " " Spring
249705	14996	Stop Cam with two 202330
249706	14992	" " Gear
249707	14992	" " " Guard
164D	14996	" " " " Screw (2)
249708	14992	" " " Stud
200522c	14996	" " " " Set Screw
249741	14992	" " Interlocking Rod
249817	15039	" " " " Guide with 1070c and 1959
1070c	14996	Stop Cam Interlocking Rod Guide Set Screw
39988	—	Stop Cam Interlocking Rod Guide Washer (rawhide)
21651	14996	Stop Cam Interlocking Rod Spring
913c	14996	" " " " " " Regulating Thumb Screw
1638E	14996	Stop Cam Interlocking Rod Spring Regulating Thumb Screw Nut
202330	—	Stop Cam Oil Packing (wick)
249742	14996	" " Spring
249711	14992	" " " Cover
200108D	14996	" " " " Screw (3)
871c	14996	" " " Stop Screw
249713	14996	" " " " " " Block with 457c
457c	14987	Stop Cam Spring Stop Screw Block Set Screw
249922	15027	Stop Lever
50416	15026	" " " Screw
2102	15041	Tension (side of arm) Disc (2)
1560c	15041	" " " " " " Regulating Thumb Nut
23519	15041	Tension (side of arm) Releaser with 200F
200F	15030	Tension (side of arm) Releaser Set Screw
23520	15023	Tension (side of arm) Releaser Shaft

Parts for Machine No. 71-108

No.	Plate	Name
23641	15041	Tension (side of arm) Releaser Shaft Arm
23694r	15041	Tension (side of arm) Releaser Shaft Arm Connection
23695r	15041	Tension (side of arm) Releaser Shaft Arm Connection Bracket
191c	14982	Tension (side of arm) Releaser Shaft Arm Connection Screw
39541	14987	Tension (side of arm) Releaser Shaft Arm Connection Screw Washer
39560	15041	Tension (side of arm) Releaser Shaft Arm Hub
2269	14978	Tension (side of arm) Releaser Shaft Arm Hub Pin
1043c	15041	Tension (side of arm) Screw Stud
350060c	15041	" " " " " " Set Screw
8238	15041	Tension (side of arm) Spring
32012	14998	" (top cover) Disc (2)
1560c	15041	" " " Regulating Thumb Nut
249685	14998	Tension (top cover) Releaser
1387c	14998	" " " " Guide Screw Stud
1521E	14998	Tension (top cover) Releaser Guide Screw Stud Nut
249686	14998	Tension (top cover) Releaser Holder with 201r
999F	14998	Tension (top cover) Releaser Holder Hinge Screw
249687	14998	Tension (top cover) Releaser Rod
40043	14998	" " " " " Collar with 209c (2)
209c	14998	Tension (top cover) Releaser Rod Collar Set Screw
249800	14998	Tension (top cover) Releaser Rod Spring
201F	14998	Tension (top cover) Releaser Set Screw
32572	14998	Tension (top cover) Releasing Disc
39633	14998	" " " " Lever
249688	14998	" " " " " Connection
974F	14998	Tension (top cover) Releasing Lever Connection Screw (back)
940F	14998	Tension (top cover) Releasing Lever Connection Screw (front)

Parts for Machine No. 71-108

No.	Plate	Name
90F	14987	Tension (top cover) Releasing Lever Hinge Screw
39635	14998	Tension (top cover) Releasing Pin
1388c	14998	" " " Screw Stud
1664E	4007	" " " " " Nut
2103	15041	" " " Spring
39636	14998	" " " Thread Eyelet (double)
217F	15040	Tension (top cover) Thread Eyelet Screw
249692	---	Thread (upper) Guide
227D	15041	" " " Screw (2)
23669	15041	" Guide (side of arm) (lower)
460c	15023	" " " " " " Set Screw
39711	4007	Thread Guiding Stud (side of arm)
460c	15023	" " " " " " Set Screw
39712	4007	Thread Retainer Holder with 462c
1664E	4007	" " " Nut
12400	15041	" " Sleeve
39713	4007	" " Spring
12402	15041	" " Stud
462c	14978	" " " Set Screw
39714	---	Thread Retainer complete, Nos. 1664E, 12400, 12402, 39712 and 39713
23523	4023	Thread Take-up Crank
1036c	4023	" " " Position Screw
1258c	4023	Thread Take-up Crank Set Screw
23524	4023	" " Lever
12166	4023	" " " Hinge Pin
23543	4023	" " " Link
249915	---	" " " " Hinge Pin with 222598
222598	---	Thread Take-up Lever Link Hinge Pin Oil Packing (wick)
435c	14985	Thread Take-up Lever Link Hinge Pin Set Screw
4784	---	Thread Take-up Lever Oil Pad
23525	---	Thread Take-up Lever complete, Nos. 12166, 23524 and 23543
39652	15041	Thread Take-up Spring
39950	15041	" " " Regulator with 350060c
446c	15041	Thread Take-up Spring Regulator Set Screw

ACCESSORIES

No.	Plate	Name
249984	15039	Gauge, for setting length of button-hole, with 200137H and 249789
249789	15039	Gauge Chain and Ring
200137H	15037	" " " " Screw
23455	—	Knife, 1 inch
23457	—	" 1½ inch
23459	—	" 1½ inch
23500	14995	Shuttle Bobbin (5)
249675	—	Stitch Regulating Gear, 18 teeth
249677	—	" " " 20 teeth
249951	—	" " " 27 teeth
71 x 1	—	Needles, three each, sizes 14 and 16
23527	—	Drip Pan with two wood screws ½ in., No. 5, R.H.B.
41401	15007	Machine Rest Pin
120346	4104	Oil (copper plated) with 120347
120347	4104	" Spout, 9 in. long
11831	15007	Screw Driver (machine, large) (5 in. blade)
120088	—	Screw Driver Blade
120090	—	" " Handle
26026	15007	Screw Driver (machine, small), Nos. 120088 and 120090
*250521	—	Screw Driver Blade
*225483	—	" " Handle
250522	15007	Screw Driver (for needle set screw) complete, Nos. 225483 and 250521
249746	15007	Screw Driver, for Needle Bar Connecting Stud Set Screw
8909	15007	Wrench
10875	15007	"
21654	15007	"
23535	15007	"
249820	15007	"
255513	—	Tweezers

BOBBIN WINDER

249714	15008	Base with 27916 and two 28084
15072	4024	Bobbin Position Pin
27916	4024	Brake (leather)
28084	4024	" Rivet

Accessories

No.	Plate	Name
249715	15008	Frame
50356D	15037	" Hinge Screw
1620J	15026	" " " Nut
249716	15037	" Spring
27918	15008	Pulley
*27849	—	Spindle
27538	15008	" 27849 with 15072, 27850 and 41828
*27850	—	Spindle Collar
41828	15028	" " Pin
249717	15008	Stop Latch
35D	15041	" " Hinge Screw
249696	15008	Tension Bracket with 452c
249697	—	Tension Bracket complete, Nos. 1620J, 5989, 10145, 27922, 249693 and 249696
2455	4024	Tension Disc
1562J	4024	" Regulating Thumb Nut
418D	4024	" Screw Stud
10141	4024	" Spring
10145	4024	" Thread Guide
5989	—	Tension complete, Nos. 418D, 1562J, 10141 and two 2455
27922	15008	Thread Eyelet Rod
452C	15040	" " " Set Screw
249693	15028	" Leader
1620J	15026	" " Lock Nut
249718	15008	Bobbin Winder complete, Nos. 35D, 1620J, 27538, 27918, 50356D and 249714 to 249717

IRON BASE

249721	—	Bed Frame with two each 16555, 19398, four each 158E, 24106, six 14010 and four wood screws 1½ in., No. 12
24106	4024	Bed Frame Cushion (felt)
158E	4024	" " " Screw
19226	4024	" " Hinge Connection
19398	—	" " " " 19226 with 211E and 19397
19397	4024	Bed Frame Hinge Connection Cap
211E	4024	" " " " " "
		Screw
16555	4024	Bed Frame Hinge Plate
14010	4024	" " " " Rivet

Accessories

No.	Plate	Name
249722	—	Splash Guard with 201655J
39912	4083	" " Hinge
200574E	11658	" " Screw
201655J	11658	" " Locking Screw Wing Nut
249723	—	Bed Frame and Splash Guard complete, Nos. 249721, 249722, two 39912 and eight 200574E

TABLE BELT GUIDES

23536	4047	Guide with two 168E
168E	15041	" Set Screw
14229	4047	Bracket with 448c
23538	4047	Pulley
39708	4047	" Shaft with 858c
858c	15028	" " Oil Hole Plug Screw
448c	14987	" " Set Screw
39716	4047	Table Belt Guide (single, left) complete, Nos. 14229, 23536, 23538, 39708 and four wood screws 1½ in., No. 12, R.H.B.
39709	4047	Table Belt Guide (single, right) complete, Nos. 14229, 23536, 23538, 39708 and four wood screws 1½ in., No. 12, R.H.B.

THREAD UNWINDER

225257	14363	Spool Rest (for two spools) with 201018c
150203	—	Spool Rest Cushion (felt)
225388	14363	" " Rod
200383c	15037	" " " Set Screw
201018c	15037	" " Set Screw
202490	14363	" Stand with 200383c
225391	14363	Thread Guide
201696J	15037	" " Lock Nut
225324	14363	" " Rod with 208E and 225322
208E	4083	Thread Guide Rod Screw
225322	15037	" " " Washer
225326	15037	" " Position Cup
225258	14363	Thread Unwinder complete (for two spools), Nos. 201696J, 202490, 225257, 225324, 225326, 225388, two each 150203, 225391 and three wood screws ½ in., No. 12

Accessories

TREADLE

No.	Plate	Name
14368	15038	Treadle
39569	15038	Chain, 45 in. long, with 39575 and 39576 (2)
39570	4047	Chain Guide Bracket
39571	4047	" " Pulley
1064D	15041	" " " Screw
39575	4024	" Hook (lower)
39576	4024	" " (upper)
39572	4047	Treadle Chain Guide complete, Nos. 39570, two each 1064D, 39571 and wood screws 1½ in., No. 12, R.H.B.
23551	4024	Treadle Chain Screw Eye (2)
17881	15037	" Shaft
14369	15038	" Stand
14370	15038	Treadle complete, Nos. 14368, 14369, 17881 and two wood screws 1½ in., No. 12

KNIFE GRINDER

No.	Plate	Name
39886	—	Emery Wheel, 4 in. diameter
39887	4083	" " Driving Shaft
201510D	11658	" " " " Nut
204101	11658	" " " " Washer
39888	4083	Emery Wheel Driving Shaft Oil Hole Cover
350068E	15037	Emery Wheel Driving Shaft Oil Hole Cover Screw
206963	11658	Emery Wheel Driving Shaft Pulley with two 200403c
200403C	11658	Emery Wheel Driving Shaft Pulley Set Screw
206969	—	Emery Wheel Washer (paper)
39889	15038	Knife Grinder Frame
39890	4086	" Holder (adjustable)
57C	4083	" " Hinge Screw
39891	4083	" " Indicator
203094	11658	" " " Position Pin
200165H	11658	" " " Screw
39892	4086	" " Slide Bracket with 200386c
201298C	11658	Knife Holder Slide Bracket Adjusting Screw
39893	4086	Knife Holder Slide Bracket Adjusting Screw Slide Plate
200577H	11658	Knife Holder Slide Bracket Adjusting Screw Slide Plate Screw
10249	4083	Knife Holder Slide Bracket Adjusting Screw Tension Spring
219F	4008	Knife Holder Slide Bracket Adjusting Screw Tension Spring Screw
200386C	11658	Knife Holder Slide Bracket Set Screw
39894	4086	Knife Holder Slide Bracket Shaft
206232	11658	" " " " Collar with 201052c
201052C	11658	Knife Holder Slide Bracket Shaft Collar Set Screw
771D	4083	Knife Holder Thumb Screw
9525	4083	" " " " Washer
39895	4083	" Holding Spring
39896	4083	" " " Bracket
204264	11658	" " " " Position Pin

Knife Grinder

No.	Plate	Name
176D	4083	Knife Holding Spring Bracket Screw
204264	11658	Knife Holding Spring Position Pin
793D	4083	" " " Thumb Screw
39897	4083	" Stop (adjustable)
208D	4083	" " Screw
39898	—	Knife Grinder complete, Nos. 57c, 176D, 208D, 219F, 771D, 793D, 9525, 10249, 39886 to 39897, 200165H, 201298C, 201510D, 203094, 204101, 206963, 350068E, two each 200577H, 204264, 206232, 206969 and three wood screws 1½ in., No. 12

MISCELLANEOUS PARTS

Used in conjunction with Thread Unwinder

60913	14363	Spool Weight with 60914
60914	—	" " Center Pin
225377	14363	" Wire, for small spools
27739	15007	Thread Cone (wood)

NUMERICAL LIST OF PARTS

Part No.	Name
15041	Winder Stop Lever
15042	Winder Stop Screw
15043	Clamp Carrier
15044	Clamp Carrier Pin
15045	Clamp Carrier Spring
15046	Clamp Carrier Pin
15047	Clamp Carrier Pin
15048	Clamp Carrier Pin
15049	Clamp Carrier Pin
15050	Clamp Carrier Pin
15051	Clamp Carrier Pin
15052	Clamp Carrier Pin
15053	Clamp Carrier Pin
15054	Clamp Carrier Pin
15055	Clamp Carrier Pin
15056	Clamp Carrier Pin
15057	Clamp Carrier Pin
15058	Clamp Carrier Pin
15059	Clamp Carrier Pin
15060	Clamp Carrier Pin
15061	Clamp Carrier Pin
15062	Clamp Carrier Pin
15063	Clamp Carrier Pin
15064	Clamp Carrier Pin
15065	Clamp Carrier Pin
15066	Clamp Carrier Pin
15067	Clamp Carrier Pin
15068	Clamp Carrier Pin
15069	Clamp Carrier Pin
15070	Clamp Carrier Pin
15071	Clamp Carrier Pin
15072	Clamp Carrier Pin
15073	Clamp Carrier Pin
15074	Clamp Carrier Pin
15075	Clamp Carrier Pin
15076	Clamp Carrier Pin
15077	Clamp Carrier Pin
15078	Clamp Carrier Pin
15079	Clamp Carrier Pin
15080	Clamp Carrier Pin
15081	Clamp Carrier Pin
15082	Clamp Carrier Pin
15083	Clamp Carrier Pin
15084	Clamp Carrier Pin
15085	Clamp Carrier Pin
15086	Clamp Carrier Pin
15087	Clamp Carrier Pin
15088	Clamp Carrier Pin
15089	Clamp Carrier Pin
15090	Clamp Carrier Pin
15091	Clamp Carrier Pin
15092	Clamp Carrier Pin
15093	Clamp Carrier Pin
15094	Clamp Carrier Pin
15095	Clamp Carrier Pin
15096	Clamp Carrier Pin
15097	Clamp Carrier Pin
15098	Clamp Carrier Pin
15099	Clamp Carrier Pin
15100	Clamp Carrier Pin

NUMERICAL LIST OF PARTS

Part No.	Name
15101	Clamp Carrier Pin
15102	Clamp Carrier Pin
15103	Clamp Carrier Pin
15104	Clamp Carrier Pin
15105	Clamp Carrier Pin
15106	Clamp Carrier Pin
15107	Clamp Carrier Pin
15108	Clamp Carrier Pin
15109	Clamp Carrier Pin
15110	Clamp Carrier Pin
15111	Clamp Carrier Pin
15112	Clamp Carrier Pin
15113	Clamp Carrier Pin
15114	Clamp Carrier Pin
15115	Clamp Carrier Pin
15116	Clamp Carrier Pin
15117	Clamp Carrier Pin
15118	Clamp Carrier Pin
15119	Clamp Carrier Pin
15120	Clamp Carrier Pin
15121	Clamp Carrier Pin
15122	Clamp Carrier Pin
15123	Clamp Carrier Pin
15124	Clamp Carrier Pin
15125	Clamp Carrier Pin
15126	Clamp Carrier Pin
15127	Clamp Carrier Pin
15128	Clamp Carrier Pin
15129	Clamp Carrier Pin
15130	Clamp Carrier Pin
15131	Clamp Carrier Pin
15132	Clamp Carrier Pin
15133	Clamp Carrier Pin
15134	Clamp Carrier Pin
15135	Clamp Carrier Pin
15136	Clamp Carrier Pin
15137	Clamp Carrier Pin
15138	Clamp Carrier Pin
15139	Clamp Carrier Pin
15140	Clamp Carrier Pin
15141	Clamp Carrier Pin
15142	Clamp Carrier Pin
15143	Clamp Carrier Pin
15144	Clamp Carrier Pin
15145	Clamp Carrier Pin
15146	Clamp Carrier Pin
15147	Clamp Carrier Pin
15148	Clamp Carrier Pin
15149	Clamp Carrier Pin
15150	Clamp Carrier Pin
15151	Clamp Carrier Pin
15152	Clamp Carrier Pin
15153	Clamp Carrier Pin
15154	Clamp Carrier Pin
15155	Clamp Carrier Pin
15156	Clamp Carrier Pin
15157	Clamp Carrier Pin
15158	Clamp Carrier Pin
15159	Clamp Carrier Pin
15160	Clamp Carrier Pin
15161	Clamp Carrier Pin
15162	Clamp Carrier Pin
15163	Clamp Carrier Pin
15164	Clamp Carrier Pin
15165	Clamp Carrier Pin
15166	Clamp Carrier Pin
15167	Clamp Carrier Pin
15168	Clamp Carrier Pin
15169	Clamp Carrier Pin
15170	Clamp Carrier Pin
15171	Clamp Carrier Pin
15172	Clamp Carrier Pin
15173	Clamp Carrier Pin
15174	Clamp Carrier Pin
15175	Clamp Carrier Pin
15176	Clamp Carrier Pin
15177	Clamp Carrier Pin
15178	Clamp Carrier Pin
15179	Clamp Carrier Pin
15180	Clamp Carrier Pin
15181	Clamp Carrier Pin
15182	Clamp Carrier Pin
15183	Clamp Carrier Pin
15184	Clamp Carrier Pin
15185	Clamp Carrier Pin
15186	Clamp Carrier Pin
15187	Clamp Carrier Pin
15188	Clamp Carrier Pin
15189	Clamp Carrier Pin
15190	Clamp Carrier Pin
15191	Clamp Carrier Pin
15192	Clamp Carrier Pin
15193	Clamp Carrier Pin
15194	Clamp Carrier Pin
15195	Clamp Carrier Pin
15196	Clamp Carrier Pin
15197	Clamp Carrier Pin
15198	Clamp Carrier Pin
15199	Clamp Carrier Pin
15200	Clamp Carrier Pin

From the library of: Diamond Needle Corp

NUMERICAL LIST OF PARTS

No.	Plate	Name
35D	15041	Bobbin Winder Stop Latch Hinge Screw, for 249718
52C	4007	Clamp Carrier Connecting Rod Hinge Screw
54C	15028	Knife Bar Driving Lever (intermediate) Connecting Link Hinge Screw
57C	4083	Knife Grinder Knife Holder Hinge Screw, for 39898
61C	15030	Starting Lever Rod Hinge Screw
67D	4008	Clamp Carrier Slide Lever Regulator Screw
90D	14987	Feed Hand Ratchet Lever Pawl Hinge Screw, for 249914
90C	14987	Knife Bar Disengaging Lever Hinge Screw
90F	14987	Tension (top cover) Releasing Lever Hinge Screw
95C	15037	Stitch Regulating Gear Disengaging Slide Operating Screw, for 249913
99C	15037	Stitch Regulating Gear Disengaging Slide Screw, for 249913
109D	4008	Clamp Check Hinge Screw
123E	15030	Starting Lever Bracket Screw
124F	15030	" " Stop Screw
129E	14993	Needle Bar Frame Driving Gear (intermediate) Bracket Screw
144D	15028	Knife Bar Driving Lever (intermediate) Cap Screw
145F	14995	Shuttle Race Screw
157C	15028	Knife Holder Screw
158E	4024	Bed Frame Cushion Screw, for 249721
158E	4024	Belt Shifter Shaft Bracket Extension Screw
158E	4024	Stitch Regulating Gear Disengaging Slide Bracket Screw, for 249913
160H	15037	Feed Hand Ratchet Lever Extension Handle Screw, for 249914
161D	14985	Bobbin Winder Base Screw
161D	14985	Feed Driving Gear (intermediate) Pinion Shaft Eccentric Bushing Position Plate Screw

Numerical List of Parts

No.	Plate	Name
164D	14996	Stop Cam Gear Guard Screw
168E	15041	Table Belt Guide Set Screw, for 23536
175E	15026	Knife Bar Disengaging Lever Catch Tripping Point Screw, for 249869
176D	4083	Knife Grinder Knife Holding Spring Bracket Screw, for 39898
178D	15040	Belt Shifter Shaft Bracket Stop Plate Screw (2)
184E	15026	Feed Wheel Tripping Lever Stop Screw
190D	14985	Arm Side Cover Screw
190D	14985	" Top Cover Screw
190D	14985	Face Plate Screw (upper)
190D	14985	Feed Wheel Tripping Lever Spring Screw
190C	14985	Needle Bar Frame Pitman Adjusting Screw, for 23611
191C	14982	Barring Point Screw
191C	14982	Belt Shifter Shaft Bracket Stop Screw
191C	14982	Clamp Arm Bracket Screw
191C	14982	Knife Screw
191C	14982	Starting Lever Spring Collar Set Screw, for 39675
191C	14982	Tension (side of arm) Releaser Shaft Arm Connection Screw
196F	4007	Clamp Arm Hinge Block Pin Set Screw, for 39540
200F	15030	Tension (side of arm) Releaser Set Screw, for 23519
201F	14998	Tension (top cover) Releaser Set Screw
203C	15026	Feed Wheel Tripping Lever Point Screw
208D	4083	Barring Shaft Guard Screw
208D	4083	Knife Grinder Knife Stop Screw, for 39898
208E	4083	Thread Unwinder Thread Guide Rod Screw, for 225324
209C	14998	Tension (top cover) Releaser Rod Collar Set Screw, for 40043
211E	4024	Bed Frame Hinge Connection Cap Screw, for 19398
217F	15040	Face Plate Screw (lower)
217F	15040	Tension (top cover) Thread Eyelet Screw
219F	4008	Clamp Check Adjusting Plate Screw

Numerical List of Parts

No.	Plate	Name
219F	4008	Knife Grinder Knife Holder Slide Bracket Adjusting Screw Tension Spring Screw, for 39898
220D	15026	Feed Wheel Tripping Point Screw, for 249973
223D	4008	Barring Slide Operating Plate (adjustable) Screw
223D	4008	Clamp Carrier Slide Lever Regulator Cap Screw
226D	15030	Oscillating Shaft Crank Slide Block Cap Screw, for 24050
227D	15041	Thread (upper) Guide Screw
228D	14982	Barring Slide Operating Plate (stationary) Screw
229D	15026	Intermittent Feed Wheel Driving Roller Cap Screw, for 201996
229D	15026	Knife Bar Driving Lever (intermediate) Roller Cap Screw, for 1959
237F	15023	Belt Shifter Shaft Guide Collar Set Screw, for 249861
240D	14987	Clamp Carrier Regulator Stud Stop Screw, for 249960
244D	15023	Clamp Carrier Guard Screw
391J	14995	Shuttle Bobbin Case Position Plate Screw, for 39980
402D	4007	Clamp Arm Screw
402D	4007	" Plate Support Screw
404D	4007	" Carrier Block Plate Screw, for 40006
404D	4007	Clamp Carrier Plate Screw (front)
418D	4024	Bobbin Winder Tension Screw Stud, for 5989
435C	14985	Arm Shaft Flanged Bushing (back) Set Screw
435C	14985	Thread Take-up Lever Link Hinge Pin Set Screw
446C	15041	Needle Bar Frame Regulator Hinge Stud Set Screw
446C	15041	Thread Take-up Spring Regulator Set Screw
448C	14987	Feed Driving Gear Set Screw, for 249846
448C	14987	Knife Bar Disengaging Lever Catch Tripping Point Collar Set Screw, for 249869
448C	14987	Oscillating Rock Shaft Hinge Pin Set Screw

Numerical List of Parts

No.	Plate	Name
448c	14987	Table Belt Guide Pulley Shaft Set Screw, for 14229
452c	15040	Barring Slide Stop Screw (adjustable) Set Screw, for 249611
452c	15040	Bobbin Winder Thread Eyelet Rod Set Screw, for 249696
453c	15026	Feed Hand Ratchet Lever Collar Set Screw, for 23414
453c	15026	Intermittent Feed Wheel Driving Bevel Pinion Set Screw, for 249645
454c	15030	Pulley (tight) Set Screw, for 249702
457E	14987	Feed Driving Gear (intermediate) Set Screw, for 249965
457c	14987	Feed Wheel Shaft Oil Hole Plug Screw
457c	14987	Stop Cam Spring Stop Screw Block Set Screw, for 249713
458c	14987	Feed Driving Gear (intermediate) Pinion Shaft Collar Set Screw, for 249745
460c	15023	Feed Hand Ratchet Wheel Set Screw, for 39924
460c	15023	Thread Guide (side of arm) (lower) Set Screw
460c	15023	Thread Guiding Stud (side of arm) Set Screw
462c	14978	Shuttle Driver Set Screw, for 23505
462c	14978	Thread Retainer Stud Set Screw, for 39712
564c	15030	Starting Lever Screw Center, for 58384
591F	14978	Shuttle Tension Regulating Screw, for 249921
592E	14995	Shuttle Bobbin Case Latch Stop Screw, for 249921
625F	15023	Clamp Arm Adjusting Screw
646F	15037	Feed Wheel Tripping Lever Screw Stud, for 249913
662D	14995	Shuttle Race Cap Screw, for 39980
673F	15030	Needle Bar Frame Screw Center
704E	14982	Barring Slide Stop Attaching Screw
717c	15030	Starting Lever Adjusting Screw
748E	15040	Arm Screw (back)
756E	14985	Belt Shifter Trip Point Screw, for 249869
756D	14985	Clamp Carrier Guide (left) Screw (long), for 249997

Numerical List of Parts

No.	Plate	Name
771D	4083	Knife Grinder Knife Holder Thumb Screw, for 39898
793D	4083	Knife Grinder Knife Holding Spring Thumb Screw, for 39898
794E	14993	Needle Bar Connecting Link Adjusting Screw, for 23476
805c	15028	Knife Bar Driving Lever Spring Screw
858c	15028	Needle Bar Crank Set Screw, for 23477
858c	15028	Table Belt Guide Pulley Shaft Oil Hole Plug Screw, for 39708
868E	15040	Arm Screw (front)
871c	14996	Stop Cam Spring Stop Screw
896E	15040	Crank Connecting Rod Cap Screw, for 24028
898c	—	Barring Slide Stop Screw (adjustable)
904F	15030	Needle Set Screw, for 39857
907E	15030	Shuttle Race Back Spring Screw, for 39982
908c	15040	Crank Connecting Rod Hinge Screw
913c	14996	Stop Cam Interlocking Rod Spring Regulating Thumb Screw
914F	4008	Clamp Carrier Slide Guide Screw
940F	14998	Tension (top cover) Releasing Lever Connection Screw (front)
974F	14998	Tension (top cover) Releasing Lever Connection Screw (back)
999F	14998	Tension (top cover) Releaser Holder Hinge Screw
1021E	14993	Needle Bar Connecting Link Cap Screw
1035c	15030	Oscillating Shaft Crank Slide Block Screw Stud, for 24050
1036c	4023	Thread Take-up Crank Position Screw, for 23477
1038c	14993	Needle Bar Frame Regulator Adjusting Screw
1042c	14993	Needle Bar Frame Pitman Hinge Screw
1043c	15041	Tension (side of arm) Screw Stud
1064D	15041	Treadle Chain Guide Pulley Screw, for 39572
1065c	15041	Needle Bar Crank Position Screw, for 23477
1069D	15040	Arm Shaft Screw
1070c	14996	Stop Cam Interlocking Rod Guide Set Screw, for 249817

Numerical List of Parts

No.	Plate	Name
1143E	15026	Intermittent Feed Wheel Driving Roller Stud Set Screw, for 249887
1149C	14993	Needle Bar Frame Driving Gear (intermediate) Stud Set Screw, for 249669
1178D	14987	Feed Driving Gear (intermediate) Bracket Position Lever Clamping Screw
1230F	4007	Clamp Carrier Guide (right) Screw
1231F	4007	" " Plate Screw (back)
1232C	4007	" " Regulator Hinge Screw
1234C	4008	" " Slide Regulating Stud
1235F	15023	Bed Oil Guard Screw
1235F	15023	Clamp Lifting Arm Screw
1235F	15023	" Plate Screw
1239D	15026	Knife Bar Connecting Link Hinge Cap Screw
1240C	15026	Knife Bar Connecting Link Hinge Screw
1241E	15026	Knife Bar Disengaging Lever Catch Spring Screw Stud
1242E	15026	Knife Bar Disengaging Lever Screw Stud, for 249658
1242E	15026	Knife Bar Disengaging Lever Spring Screw, for 249656
1243C	15028	Knife Holder Guide Stud
1253C	4023	Oscillating Shaft Crank Set Screw, for 39658
1256D	4008	Clamp Carrier Slide Screw
1258C	4023	Thread Take-up Crank Set Screw, for 23477
1294C	15023	Clamp Spring Bushing Position Stud
1297F	15040	Clamp Check Holder Screw
1319F	15026	Knife Bar Connecting Stud Clamping Screw, for 23462
1330C	14982	Barring Lever Spring Screw Stud
1341C	14993	Needle Bar Connecting Stud Set Screw, for 39601
1387C	14998	Tension (top cover) Releaser Guide Screw Stud
1388C	14998	Tension (top cover) Screw Stud
1396E	15026	Intermittent Feed Wheel Driving Bevel Gear Bracket Screw
1428C	15026	Knife Bar Driving Lever Screw Stud
1449H	15037	Feed Hand Ratchet Lever Pawl Spring Screw, for 249914

Numerical List of Parts

No.	Plate	Name
1478C	14982	Barring Lever Hinge Screw
1508E	15030	Starting Lever Screw Center Nut, for 58384
1517J	15030	Needle Bar Frame Screw Center Nut
1518J	15041	Starting Lever Stop Screw Nut
1520J	14987	Clamp Carrier Regulator Roller and Screw Stud Nut, for 1960
1520J	14987	Clamp Carrier Slide Lever Roller and Screw Stud Nut, for 1960
1520J	14987	Knife Bar Driving Lever Screw Stud Nut
1520J	14987	Starting Lever Adjusting Screw Nut
1521E	14998	Tension (top cover) Releaser Guide Screw Stud Nut
1547J	15023	Clamp Arm Adjusting Screw Nut
1547J	15023	Knife Bar Disengaging Lever Catch Hinge Screw Nut
1547J	15023	Knife Holder Screw Nut
1547J	15023	Needle Bar Frame Pitman Hinge Screw Nut
1550J	15023	Clamp Spring Bushing Position Stud Nut
1560C	15041	Tension (side of arm) Regulating Thumb Nut
1560C	15041	Tension (top cover) Regulating Thumb Nut
1562J	4024	Bobbin Winder Tension Regulating Thumb Nut, for 5989
1607E	14982	Barring Slide Operating Plate Adjusting Screw Nut
1608C	15028	Knife Holder Guide Stud Nut
1619E	15040	Crank Connecting Rod Hinge Screw Nut
1620J	15026	Bobbin Winder Frame Hinge Screw Nut, for 249718
1620J	15026	Bobbin Winder Thread Leader Lock Nut, for 249697
1620E	15026	Feed Wheel Tripping Lever Hinge Screw Nut
1636E	15030	Oscillating Shaft Crank Slide Block Screw Stud Nut, for 39658
1638E	14996	Stop Cam Interlocking Rod Spring Regulating Thumb Screw Nut
1658C	4008	Clamp Carrier Slide Regulating Stud Bushing Thumb Nut
1659C	15023	Clamp Pressure Regulating Thumb Nut

Numerical List of Parts

No.	Plate	Name
1664E	4007	Tension (top cover) Screw Stud Nut
1664E	4007	Thread Retainer Holder Nut, for 39714
1671C	15023	Clamp Carrier Regulator Stud Nut
1698C	14993	Needle Bar Frame Regulator Adjusting Screw Nut
1959	15028	Knife Bar Driving Lever (Intermediate) Roller and Screw Stud with 229D and 12424, for 249817
1960	4007	Clamp Carrier Regulator Roller and Screw Stud with 1520J, for 249980
1960	4007	Clamp Carrier Slide Lever Roller and Screw Stud with 1520J, for 249625
1963	15026	Knife Bar Disengaging Lever Catch Roller and Stud, for 249657
2102	15041	Tension (side of arm) Disc
2103	15041	" (top cover) Spring
2269	14978	Belt Shifter Shaft Guide Collar Position Pin
2269	14978	Shuttle Driver Pin
2269	14978	Tension (side of arm) Releaser Shaft Arm Hub Pin
2455	4024	Bobbin Winder Tension Disc, for 5989
2523	14995	Shuttle Bobbin Case Position Fingerv Rivet, for 249921
2532	14978	Shuttle Race Back Position Pin, for 39982
2533	14995	Shuttle Race Back Spring, for 39982
2974	14995	" Bobbin Case Latch Lever Fulcrum Pin, for 249919
2975	14995	Shuttle Bobbin Case Latch Spring, for 249921
3012	15023	Feed Hand Ratchet Wheel Pin
4784	—	Oscillating Rock Shaft Oil Pad, for 39654
4784	—	Thread Take-up Lever Oil Pad, for 23478
5989	—	Bobbin Winder Tension complete, Nos. 418D, 1562J, 10141 and two 2455, for 249697
7070	4007	Needle Bar Frame Regulator Adjusting Screw Sleeve
7071	4008	Needle Bar Frame Pitman Adjusting Screw Washer, for 23611
7278	4008	Clamp Carrier Slide Lever Socket Joint

Numerical List of Parts

No.	Plate	Name
7326	14978	Shuttle Race Cap, for 39980
8238	15041	Tension (side of arm) Spring
8582	14985	Arm Dowel Pin
8582	14985	Starting Lever Bracket Dowel Pin
8909	15007	Wrench
9525	4083	Knife Grinder Knife Holder Thumb Screw Washer, for 39898
10141	4024	Bobbin Winder Tension Spring, for 5989
10145	4024	Bobbin Winder Tension Thread Guide, for 249697
10219	4083	Knife Grinder Knife Holder Slide Bracket Adjusting Screw Tension Spring, for 39898
10875	15007	Wrench
11831	15007	Screw Driver (machine) (large) (5 in. blade)
12166	4023	Thread Take-up Lever Hinge Pin, for 23525
12400	15041	Thread Retainer Sleeve, for 39714
12402	15041	" " Stud, for 39714
12424	15028	Knife Bar Driving Lever (Intermediate) Roller Cap Screw Washer, for 1959
12424	15028	Oscillating Shaft Crank Slide Block Cap Screw Washer, for 24050
12546	15026	Intermittent Feed Wheel Position Pin
12546	15026	Needle Vibrating Gear Position Pin
14010	4024	Bed Frame Hinge Plate Rivet, for 249721
14229	4047	Table Belt Guide Bracket with 448C, for 39709 and 39716
14368	15038	Treadle, for 14370
14369	15038	" Stand, for 14370
14370	15038	Treadle complete, Nos. 14368, 14369, 17881 and two wood screws 1½ in., No. 12
15072	4024	Bobbin Winder Bobbin Position Pin, for 27538
15098	—	Shuttle Tension Spring, for 249921
15140	14995	" Bobbin Case Latch, for 249919
16555	4024	Bed Frame Hinge Plate, for 249721
17881	15037	Treadle Shaft, for 14370
19226	4024	Bed Frame Hinge Connection, for 19398
19397	4024	Bed Frame Hinge Connection Cap, for 19398

Numerical List of Parts

No.	Plate	Name
19398	—	Bed Frame Hinge Connection 19226 with 211E and 19397, for 249721
19448	15030	Oscillating Shaft Crank Slide Block, for 24050
21651	14996	Stop Cam Interlocking Rod Spring
21654	15007	Wrench
23379	4007	Clamp Arm Hinge Block
23380	4007	" " " " Pin
23384	4007	" Carrier Connecting Rod
23385	15040	" Guide (right)
23389	15026	Intermittent Feed Wheel Driving Roller Cap Screw Washer, for 201996
23390	15028	Knife Screw Washer
23392	4008	Clamp Carrier Slide Guide (left)
23393	4008	" " " " (right)
23395	14987	" " " Lever Regulator
23396	4008	" " " " " Cap
23397	4008	Clamp Carrier Slide Regulating Stud Bushing
23414	15040	Feed Hand Ratchet Lever Collar with two 453c
23421	—	Oscillating Rock Shaft Hinge Pin Oil Hole Plug (leather), for 23494
23435	15026	Feed Wheel Tripping Lever Spring
23451	—	Knife, $\frac{3}{8}$ inch
23452	—	" $\frac{1}{8}$ inch
23453	—	" $\frac{3}{4}$ inch
23454	—	" $\frac{1}{8}$ inch
23455	—	" 1 inch
23456	15026	" $1\frac{1}{8}$ inch
23457	—	" $1\frac{1}{4}$ inch
23458	—	" $1\frac{3}{8}$ inch
23459	—	" $1\frac{1}{2}$ inch
23460	15029	" Bar
23461	15026	" " Connecting Link
23462	15026	" " " Stud with 1319r
23466	15026	" " Disengaging Lever Catch Tripping Point, for 249869
23471	15029	Knife Bar Driving Lever (intermediate) Connecting Link
23476	14993	Needle Bar Connecting Link with 794E
23477	15029	Needle Bar Crank with 858c, 1036c, 1065c and 1258c
23478	15029	Needle Bar Frame with 4784
23494	15031	Oscillating Rock Shaft Hinge Pin with 23421, for 39654

Numerical List of Parts

No.	Plate	Name
23500	14995	Shuttle Bobbin, for 249918
23501	15030	" " Case Position Finger, for 249921
23503	14978	Shuttle Body, for 249918
23505	14995	" Driver with 462c
23511	14992	Starting Lever Rod
23519	15041	Tension (side of arm) Releaser with 200r
23520	15023	Tension (side of arm) Releaser Shaft
23523	4023	Thread Take-up Crank
23524	4023	" " Lever, for 23525
23525	—	Thread Take-up Lever complete, Nos. 12166, 23524 and 23543
23527	—	Drip Pan with two wood screws $\frac{1}{2}$ in., No. 5, R.H.B.
23535	15007	Wrench
23536	4047	Table Belt Guide with two 168E, for 39709 and 39716
23538	4047	Table Belt Guide Pulley, for 39709 and 39716
23543	4023	Thread Take-up Lever Link, for 23525
23551	4024	Treadle Chain Screw Eye
23554	—	Belt Shifter Shaft Bracket Spring
23574	15024	Clamp Post
23609	—	Needle Bar Frame Pitman (regulator end), for 23611
23610	—	Needle Bar Frame Pitman (hinge screw end), for 23611
23611	14993	Needle Bar Frame Pitman (adjustable) complete, Nos. 23609, 23610, two each 190c and 7071
23624	15030	Starting Lever Spring
23641	15041	Tension (side of arm) Releaser Shaft Arm
23669	15041	Thread Guide (side of arm) (lower)
23681	15028	Knife Bar Driving Lever Spring
23693y	15023	Clamp Spring Bushing
23694y	15041	Tension (side of arm) Releaser Shaft Arm Connection
23695y	15041	Tension (side of arm) Releaser Shaft Arm Connection Bracket
24028	15024	Crank Connecting Rod with 24085 and two 896E
24047	15031	Oscillating Shaft Bushing (front)
24050	—	Oscillating Shaft Crank Slide Block complete, Nos. 226b, 1035c, 12424 and 19448, for 39658

Numerical List of Parts

No.	Plate	Name
*24081	—	Arm Shaft Bushing (front), for 249601
*24085	—	Crank Connecting Rod Cap, for 24028
24106	4024	Bed Frame Cushion (felt), for 249721
26026	15007	Screw Driver (machine) (small), Nos. 120088 and 120090
27538	15008	Bobbin Winder Spindle 27849 with 15072, 27850 and 41828, for 249718
27739	15007	Thread Cone (wood)
*27849	—	Bobbin Winder Spindle, for 27538
*27850	—	" " " Collar, for 27538
27916	4024	Bobbin Winder Brake (leather), for 249714
27918	15008	Bobbin Winder Pulley, for 249718
27922	15008	" " " Thread Eyelet Rod, for 249697
28084	4024	Bobbin Winder Brake Rivet, for 249714
32012	14998	Tension (top cover) Disc
32572	14998	" " " Releasing Disc
39504	15028	Needle Bar Frame Regulator Adjusting Screw Washer
39514	15023	Clamp Spring
39532	15023	" Carrier Regulator Stud Sleeve
39534	4023	Knife Holder
39539x	15025	Clamp Arm
39540	15039	" " " Bracket with 196r
39541	14987	" " " Screw Washer
39541	14987	Tension (side of arm) Releaser Shaft Arm Connection Screw Washer
39546	15040	Clamp Check, for 1½ in. buttonhole
39547	15040	" " Adjusting Plate
39548	15040	" " Holder
39555	—	Knife, 1⅞ inch
39556	—	" 1⅞ inch
39557	—	" 1⅞ inch
39558	—	" 1½ inch
39560	15041	Tension (side of arm) Releaser Shaft Arm Hub
39569	15038	Treadle Chain, 45 in. long, with 39575 and 39576
39570	4047	Treadle Chain Guide Bracket, for 39572

Numerical List of Parts

No.	Plate	Name
39571	4047	Treadle Chain Guide Pulley, for 39572
39572	4047	Treadle Chain Guide complete, Nos. 39570, two each 10640, 39571 and wood screws 1½ in., No. 12, R.H.B.
39575	4024	Treadle Chain Hook (lower), for 39569
39576	4024	Treadle Chain Hook (upper), for 39569
39583	14987	Clamp Carrier Regulator Stud Stop, for 249960
39591	14987	Clamp Carrier Guide (left), for 249997
39601	14993	Needle Bar Connecting Stud with 1341c
39620	15025	Arm Side Cover
39633	14998	Tension (top cover) Releasing Lever
39635	14998	Tension (top cover) Releasing Pin
39636	14998	" " " Thread Eyelet (double)
39652	15041	Thread Take-up Spring
39653	15031	Oscillating Rock Shaft, for 39654
39654	—	Oscillating Rock Shaft complete, Nos. 4784, 23494 and 39653
39655	15031	Oscillating Shaft
39656	4023	" " Bushing (back)
39657	15030	" " Crank, for 39658
39658	4023	Oscillating Shaft Crank complete, Nos. 1636E, 24050, 39657 and two 1253c
39675	15030	Starting Lever Spring Collar with two 191c
39708	4047	Table Belt Guide Pulley Shaft with 858c, for 39709 and 39716
39709	4047	Table Belt Guide (single, right) complete, Nos. 14229, 23536, 23538, 39708 and four wood screws 1½ in., No. 12, R.H.B.
39711	4007	Thread Guiding Stud (side of arm)
39712	4007	" Retainer Holder with 462c, for 39714
39713	4007	Thread Retainer Spring, for 39714
39714	—	Thread Retainer complete, Nos. 1664E, 12400, 12402, 39712 and 39713

Numerical List of Parts

No.	Plate	Name
39716	4047	Table Belt Guide (single, left) complete, Nos. 14229, 23536, 23538, 39708 and four wood screws 1½ in., No. 12, R.H.B.
39717	15039	Clamp Lifting Arm
39857	15029	Needle Bar with 904F
39882	—	Belt Shifter Stop Washer
		Nos. 39886 to 39897, for 39898
39886	—	Knife Grinder Emery Wheel, 4 in. diameter
39887	4083	Knife Grinder Emery Wheel Driving Shaft
39888	4083	Knife Grinder Emery Wheel Driving Shaft Oil Hole Cover
39889	15038	Knife Grinder Frame
39890	4086	" " Knife Holder (adjustable)
39891	4083	Knife Grinder Knife Holder Indicator
39892	4086	Knife Grinder Knife Holder Slide Bracket with 200386c
39893	4086	Knife Grinder Knife Holder Slide Bracket Adjusting Screw Slide Plate
39894	4086	Knife Grinder Knife Holder Slide Bracket Shaft
39895	4083	Knife Grinder Knife Holding Spring
39896	4083	Knife Grinder Knife Holding Spring Bracket
39897	4083	Knife Grinder Knife Stop (adjustable)
39898	—	Knife Grinder complete, Nos. 57c, 176D, 208D, 219F, 771D, 793D, 9525, 10249, 39886 to 39897, 200165H, 201298c, 201510D, 203094, 204101, 206963, 350068E, two each 200577H, 204264, 206232, 206969 and three wood screws 1½ in., No. 12
39912	4083	Splash Guard Hinge, for 249723
39924	15023	Feed Hand Ratchet Wheel with 460c
39950	15041	Thread Take-up Spring Regulator with 350060c
39969	14978	Shuttle Race Back, for 39982
39979	—	" " Body, for 39980

Numerical List of Parts

No.	Plate	Name
39980	14995	Shuttle Race Body 39979 with 7326, 249546, two each 391J and 662D, for 39982
39982	14978	Shuttle Race complete, Nos. 907E, 2533, 39969, 39980 and two 2532
39988	—	Stop Cam Interlocking Rod Guide Washer (rawhide)
40006	14987	Clamp Carrier Block with 40007 and four 404D
40007	14987	Clamp Carrier Block Plate, for 40006
40020Y	15025	Clamp Plate
40025	14987	Feed Driving Gear Position Pin
40025	14987	Intermittent Feed Wheel Driving Bevel Pinion Position Pin
40025	14987	Pulley (tight) Pin
40043	14998	Tension (top cover) Releaser Rod Collar with 209c
41401	15007	Machine Rest Pin
41828	15028	Bobbin Winder Spindle Collar Pin, for 27538
50356D	15037	Bobbin Winder Frame Hinge Screw, for 249718
50416c	15026	Knife Bar Disengaging Lever Catch Hinge Screw
50416c	15026	Stop Lever Screw, for 249913
50615D	15028	Knife Bar Stop Retainer Plate Screw
51047E	14985	Belt Shifter Shaft Bracket Extension Pinch Screw, for 249858
58384	—	Starting Lever Screw Center 564c with 1508E
60913	14363	Spool Weight with 60914
60914	—	" " Center Pin, for 60913
120088	—	Screw Driver Blade, for 26026
120090	—	" " Handle, for 26026
120346	4104	Oiler (copper plated) with 120347
120347	4104	" Spout, 9 in. long, for 120346
150203	—	Thread Unwinder Spool Rest Cushion (felt), for 225258
200068H	14993	Needle Bar Frame Driving Gear Screw
200108D	14996	Stop Cam Spring Cover Screw
200137H	15037	Gauge Chain and Ring Screw, for 249984
200165H	11658	Knife Grinder Knife Holder Indicator Screw, for 39898

Numerical List of Parts

No.	Plate	Name
200383c	15037	Thread Unwinder Spool Rest Rod Set Screw, for 202490
200386c	11658	Knife Grinder Knife Holder Slide Bracket Set Screw, for 39892
200403c	11658	Knife Grinder Emery Wheel Driving Shaft Pulley Set Screw, for 206963
200502B	14985	Arm Shaft Bushing Oil Packing Thumb Screw
200522c	14996	Stop Cam Gear Stud Set Screw
200574E	11658	Splash Guard Hinge Screw, for 249723
200577H	11658	Knife Grinder Knife Holder Slide Bracket Adjusting Screw Slide Plate Screw, for 39898
200584D	15030	Pulley (loose) Grease Retaining, for 249890
201018c	15037	Thread Unwinder Spool Rest Set Screw, for 225257
201052c	11658	Knife Grinder Knife Holder Slide Bracket Shaft Collar Set Screw, for 206232
201298c	11658	Knife Grinder Knife Holder Slide Bracket Adjusting Screw, for 39898
201510E	11658	Knife Bar Driving Lever (Intermediate) Hinge Screw Stud Nut
201510D	11658	Knife Grinder Emery Wheel Driving Shaft Nut, for 39898
201655J	11658	Splash Guard Locking Screw Wing Nut, for 249722
201668E	15023	Feed Wheel Clamping Nut
201696J	15037	Thread Unwinder Thread Guide Lock Nut, for 225258
201713c	14982	Barring Shaft Adjusting Lock Nut
201715c	14993	Needle Bar Frame Driving Gear (Intermediate) Clamping Nut
201721c	15037	Stitch Regulating Gear Guide and Lock Nut, for 249913
201891	15026	Intermittent Feed Wheel Driving Roller, for 201996
201996	---	Intermittent Feed Wheel Driving Roller 201891 with 229D, 23389 and 249888
202005	15030	Starting Lever Spring Washer
202260	---	Arm Shaft Bushing Oil Packing (wick)
202330	---	Stop Cam Oil Packing (wick), for 249705

Numerical List of Parts

No.	Plate	Name
202490	14363	Thread Unwinder Spool Stand with 200383c, for 225258
203094	11658	Knife Grinder Knife Holder Indicator Position Pin, for 39898
204101	11658	Knife Grinder Emery Wheel Driving Shaft Nut Washer, for 39898
204264	11658	Knife Grinder Knife Holding Spring Bracket Position Pin, for 39898
204264	11658	Knife Grinder Knife Holding Spring Position Pin, for 39898
205634	15028	Knife Bar Driving Lever (Intermediate) Hinge Screw Stud Washer
206232	11658	Knife Grinder Knife Holder Slide Bracket Shaft Collar with 201052c, for 39898
206963	11658	Knife Grinder Emery Wheel Driving Shaft Pulley with two 200403c, for 39898
206969	----	Knife Grinder Emery Wheel Washer (paper), for 39898
222598	----	Thread Take-up Lever Link Hinge Pin Oil Packing (wick), for 249915
225257	14363	Thread Unwinder Spool Rest (for two spools) with 201018c, for 225258
225258	14363	Thread Unwinder complete (for two spools), Nos. 201696J, 202490, 225257, 225324, 225326, 225388, two each 150203, 225391 and three wood screws $\frac{3}{4}$ in., No. 12
225322	15037	Thread Unwinder Thread Guide Rod Washer, for 225324
225324	14363	Thread Unwinder Thread Guide Rod with 208E and 225322, for 225258
225326	15037	Thread Unwinder Thread Guide Position Cup, for 225258
225377	14363	Spool Wire, for small spools
225388	14363	Thread Unwinder Spool Rest Rod, for 225258
225391	14363	Thread Unwinder Thread Guide, for 225258
*225483	---	Screw Driver Handle, for 250522
232131	14987	Feed Driving Gear (Intermediate) Swing Bracket Screw Washer
232382	15037	Feed Hand Ratchet Lever Pawl Spring Pin, for 249907
232719	14987	Feed Driving Gear (Intermediate) Position Pin

Numerical List of Parts

No.	Plate	Name
235356	14993	Needle Bar Frame Driving Gear (intermediate) Pin. for 249671
238089	15026	Knife Bar Disengaging Lever Catch Bracket Position Pin, for 249658
249544	15028	Knife Bar Stop
249545	15028	" " " Retainer Plate
249546	14978	Shuttle Bobbin Case Position Plate, for 39980
*249601	—	Arm with 24081
249602	15025	" Shaft
249604	15025	" Top Cover (left)
249605	15025	" " " (right)
249606	15024	Barring Lever
249607	14982	" " Spring
249610	14982	" Point
249611	14982	" Shaft with 452c
249612	14982	" " Guard
249613	14982	" Slide
249614	14982	" " Operating Plate (stationary)
249615	14982	Barring Slide Operating Rod
249616	14982	" " " Stud
249619	14982	" " Stop
*249620	—	Bed
249622	15025	Arm Shaft Flanged Bushing (back)
249625	15024	Clamp Carrier Slide Lever with 1960
249631	15025	Face Plate
249639	15025	Feed Wheel Shaft
249640	15027	" " Tripping Lever
249641	15026	" " " Point, for 249973
249642	15027	Intermittent Feed Wheel with two 350249E
249644	15029	Intermittent Feed Wheel Driving Bevel Gear Bracket
249645	15029	Intermittent Feed Wheel Driving Bevel Pinion with two 453c
249646	15029	Intermittent Feed Wheel Shaft
249655	15039	Belt Shifter Shaft Bracket Stop Plate
249656	15029	Knife Bar Disengaging Lever with 1242E
249657	15029	Knife Bar Disengaging Lever Catch with 1963
249658	15029	Knife Bar Disengaging Lever Catch Bracket with 1242E and 238089
249659	15026	Knife Bar Disengaging Lever Catch Spring

Numerical List of Parts

No.	Plate	Name
249660	15026	Knife Bar Disengaging Lever Spring
249661	15025	" " Driving Lever
249662	15025	" " " " (intermediate)
249666	15029	Needle Bar Frame Connection
249667	14993	" " " Driving Gear
249668	15028	" " " Regulator Hinge Stud
249669	15029	Needle Bar Frame Driving Gear (intermediate) Bracket with 1149c
249670	14993	Needle Bar Frame Driving Gear (intermediate) Stud
249671	14993	Needle Bar Frame Driving Gear (intermediate) (large) with 235356
249672	14993	Needle Bar Frame Driving Gear (intermediate) (small)
249673	14993	Needle Bar Frame Regulator
249674	15031	" Vibrating Gear with two 350249E
249675	—	Stitch Regulating Gear, 18 teeth
249677	—	" " " 20 teeth
249679	15030	" " " 24 teeth
249682	—	" " " 30 teeth
249685	14998	Tension (top cover) Releaser
249686	14998	" " " " Holder with 201E
249687	14998	Tension (top cover) Releaser Rod
249688	14998	" " " Releasing Lever Connection
249692	—	Thread (upper) Guide
249693	15028	Bobbin Winder Thread Leader, for 249697
249696	15008	Bobbin Winder Tension Bracket with 452c, for 249697
249697	—	Bobbin Winder Tension Bracket complete, Nos. 1620J, 5989, 10145, 27922, 249693 and 249696
249702	15031	Pulley (tight) with 454c
249704	15031	Starting Lever Bracket
249705	14996	Stop Cam with two 202330
249706	14992	" " Gear
249707	14992	" " " Guard
249708	14992	" " " Stud
249711	14992	" " Spring Cover
249713	14996	" " " Stop Screw Block with 457c

Numerical List of Parts

No.	Plate	Name
Nos. 249714 to 249717, for 249718		
249714	15008	Bobbin Winder Base with 27916 and two 28084
249715	15008	Bobbin Winder Frame
249716	15037	" " " Spring
249717	15008	" " " Stop Latch
249718	15008	Bobbin Winder complete, Nos. 35D, 1620J, 27538, 27918, 50356D and 249714 to 249717
249721	---	Bed Frame with two each 16555, 19398, four each 158E, 24106, six 14010 and four wood screws 1 1/2 in., No. 12, for 249723
249722	---	Splash Guard with 201655J, for 249723
249723	---	Bed Frame and Splash Guard complete, Nos. 249721, 249722, two 39912 and eight 200574E
249725	---	Stitch Regulating Gear, 36 teeth
249727	---	" " " 40 teeth
249737	15028	Knife Bar Spring
249738	15026	Intermittent Feed Wheel Shaft Collar
249739	14996	Stitch Regulating Gear Pin
249740	14982	Barring Slide Operating Plate (adjustable)
249741	14992	Stop Cam Interlocking Rod
249742	14996	" " " Spring
249744	---	Stitch Regulating Gear, 45 teeth
249745	15023	Feed Driving Gear (intermediate) Pinion Shaft Collar with two 458c
249746	15007	Screw Driver, for Needle Bar Connecting Stud Set Screw
249789	15039	Gauge Chain and Ring, for 249984
249800	14998	Tension (top cover) Releaser Rod Spring
249809	15030	Oscillating Shaft Bushing (front) Oil Tube (brass)
249816	15038	Starting Lever
249817	15039	Stop Cam Interlocking Rod Guide with 1070c and 1959
249820	15007	Wrench
249844	14987	Feed Driving Gear (intermediate) Pinion Shaft Eccentric Bushing Position Plate
249846	15024	Feed Driving Gear with two 448o
249849	15023	" " " (intermediate) Pinion Shaft Eccentric Bushing

Numerical List of Parts

No.	Plate	Name
249853	14985	Belt Shifter with 350287c
249854	14985	" " " Operating Collar with 350329c
249855	14985	Belt Shifter Operating Rod
249856	15024	" " " Shaft
249857	15024	" " " " Bracket
249858	15024	" " " " " Extension with 51047E
249860	14985	Belt Shifter Shaft Bracket Stop
249861	14985	" " " " Guide Collar with 237F
249862	14985	Belt Shifter Shaft Spring
249863	14985	" " " Trip Point, for 249869
249864	14985	" " " " Stud
249868	15026	Feed Wheel Tripping Lever Point
249869	15029	Knife Bar Disengaging Lever Catch Tripping Point Collar with 175E, 756E, 23466, 249863 and two 448c
249883	14985	Bed Oil Guard Oil Tube (brass), for 262002
249887	15027	Intermittent Feed Wheel Driving Bevel Gear with two 1143F
249888	15026	Intermittent Feed Wheel Driving Roller Stud, for 201996
Nos. 249890 to 249892, for 249893		
*249890	---	Pulley (loose) with 200584D
249891	15031	" " " Ball Bearing
249892	15031	" " " Bushing
249893	15031	Pulley (loose, ball bearing) complete, Nos. 249890 to 249892
249895	---	Clamp Carrier Regulator Slide
249904	15027	Feed Driving Gear (intermediate) Bracket Position Lever, for 249913
Nos. 249905 to 249907, for 249914		
249905	15027	Feed Hand Ratchet Lever
249906	15027	" " " " " Extension Handle
249907	15037	Feed Hand Ratchet Lever Pawl with 232382
Nos. 249909 to 249912, for 249913		
249909	15037	Stitch Regulating Gear Disengaging Slide
249910	15037	Stitch Regulating Gear Disengaging Slide Bracket
249911	15037	Stitch Regulating Gear Disengaging Slide Bracket Support Washer

Numerical List of Parts

No.	Plate	Name
249912	15037	Stitch Regulating Gear Spring
249913	—	Feed Hand Ratchet Device complete, Nos. 95c, 158E, 646F, 50416c, 201721c, 249904, 249909 to 249912, 249914, 249922, 249923, 250444, 350329c, 350337c and two 99c
249914	—	Feed Hand Ratchet Lever complete, Nos. 90D, 160H, 1449H, 249905 to 249907 and 250058, for 249913
249915	—	Thread Take-up Lever Link Hinge Pin with 222598
249918	—	Shuttle, 1½ in. diam., Nos. 23500, 23503 and 249921
249919	15030	Shuttle Bobbin Case Hinge, Nos. 2974, 15140 and 249920, for 249921
249920	15030	Shuttle Bobbin Case Latch Lever, for 249919
249921	15030	Shuttle Bobbin Case complete, Nos. 591F, 592E, 2523, 2975, 15098, 23501 and 249919, for 249918
249922	15027	Stop Lever, for 249913
249923	15027	Stitch Regulating Gear Disengaging Lever, for 249913
249951	—	Stitch Regulating Gear, 27 teeth
249952	—	" " " 54 teeth
249953	—	" " " 60 teeth
249954	15023	Barring Plate
249958	15027	Clamp Carrier Guard
249959	15025	" " Plate
249960	15025	" " Regulator with 240D, 1960 and 39583
249964	15027	Clamp Plate Support
249965	15027	Feed Driving Gear (intermediate) with two 457E
249966	15027	Feed Driving Gear (intermediate) (large), for stud
249967	15027	Feed Driving Gear (intermediate) (small), for stud
249968	15027	Feed Driving Gear (intermediate), for swing bracket
249969	15027	Feed Driving Gear (intermediate) Bracket
249970	15027	Feed Driving Gear (intermediate) Pinion Shaft
249971	15023	Feed Driving Gear (intermediate) Stud
249972	15027	Feed Driving Gear (intermediate) Swing Bracket

Numerical List of Parts

No.	Plate	Name
249973	15025	Feed Wheel with 249641 and two 220D (240 stitches, 6 bar)
249975	15031	Stitch Regulating Gear Guard
249984	15039	Gauge, for setting length of buttonhole, with 200137H and 249789
249996	15039	Clamp Carrier
249997	15039	" " Slide with 39591 and three 756D
250058	15037	Feed Hand Ratchet Lever Pawl Spring, for 249914
250397	14993	Needle Bar Frame Driving Gear (intermediate) Bracket Position Pin
250444	15037	Feed Wheel Tripping Lever Screw Stud Washer, for 249913
*250521	—	Screw Driver Blade, for 250522
250522	15007	Screw Driver (for needle set screw) complete, Nos. 225483 and 250521
255513	—	Tweezers
262002	15038	Bed Oil Guard with 249883
350060c	15041	Tension (side of arm) Screw Stud Set Screw, for 39950
350068E	15037	Knife Grinder Emery Wheel Driving Shaft Oil Hole Cover Screw, for 39898
350076c	14987	Clamp Carrier Regulator Stud (to regulate length of buttonhole)
350229E	14982	Barring Plate Screw
350230c	15026	Intermittent Feed Wheel Driving Bevel Gear Cap Screw
350237c	15026	Feed Wheel Tripping Lever Hinge Screw
350243c	15028	Knife Bar Driving Lever (intermediate) Hinge Screw Stud
350249E	15026	Intermittent Feed Wheel Position Screw, for 249642
350249E	15026	Needle Vibrating Gear Position Screw, for 249674
350251c	15028	Needle Bar Frame Connection Hinge Screw
350253c	14982	Barring Slide Operating Plate Adjusting Screw
350254F	14993	Needle Bar Frame Connection Cap Screw
350281c	15028	Knife Bar Driving Lever Hinge Screw
350287c	14985	Belt Shifter Operating Rod Set Screw

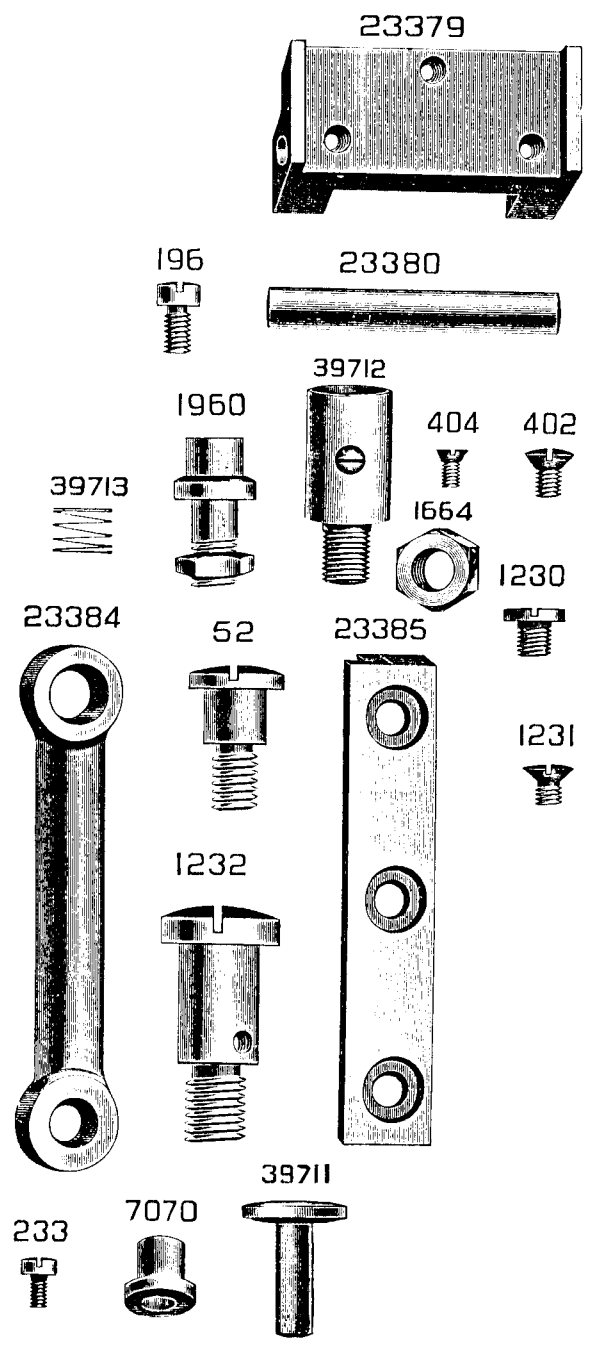
Numerical List of Parts

No.	Plate	Name
350287c	14985	Belt Shifter Set Screw, for 249853
350288c	14985	" " Shaft Bracket Hinge Screw
350310b	15023	Feed Driving Gear (Intermediate) Swing Bracket Screw
350329c	15040	Belt Shifter Operating Collar Set Screw, for 249854 and 249913
350337c	15037	Stitch Regulating Gear Disengaging Lever Hinge Screw, for 249913
350338E	—	Belt Shifter Shaft Bracket Spring Screw Stud (lower)
350339E	—	Belt Shifter Shaft Bracket Spring Screw Stud (upper)

ILLUSTRATIONS OF PARTS
FOR
MACHINE No. 71-108

PLATE 4007—FULL SIZE

ILLUSTRATIONS OF PARTS
FOR
MACHINE NO. 71-108



From the library of: Diamond Needle Corp

PLATE 4008—FULL SIZE

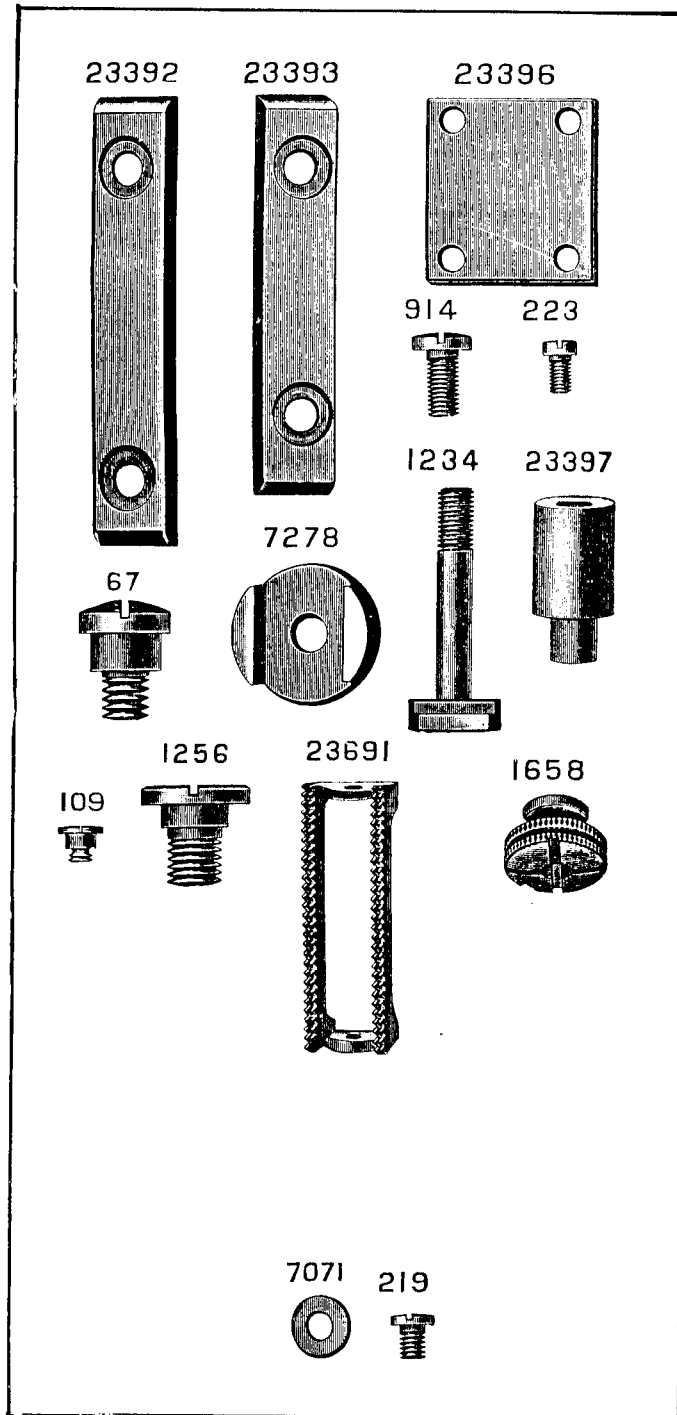


PLATE 4023—FULL SIZE

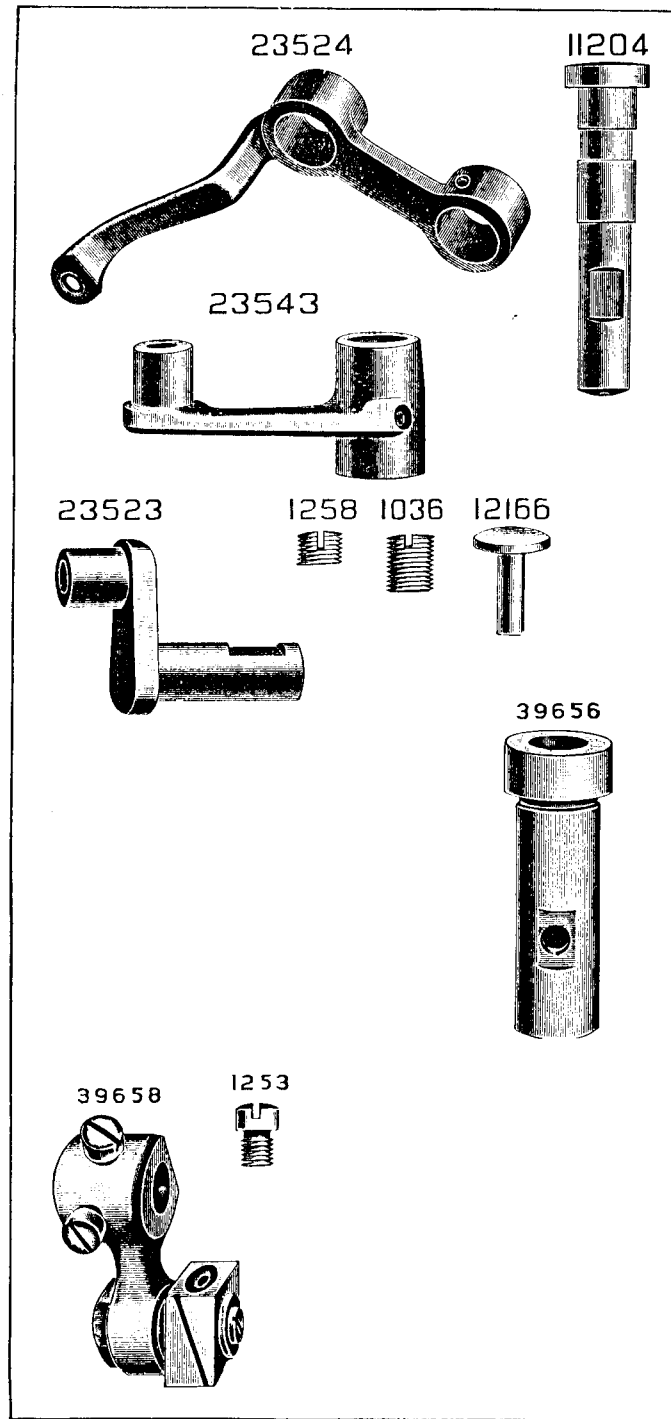


PLATE 4024—FULL SIZE

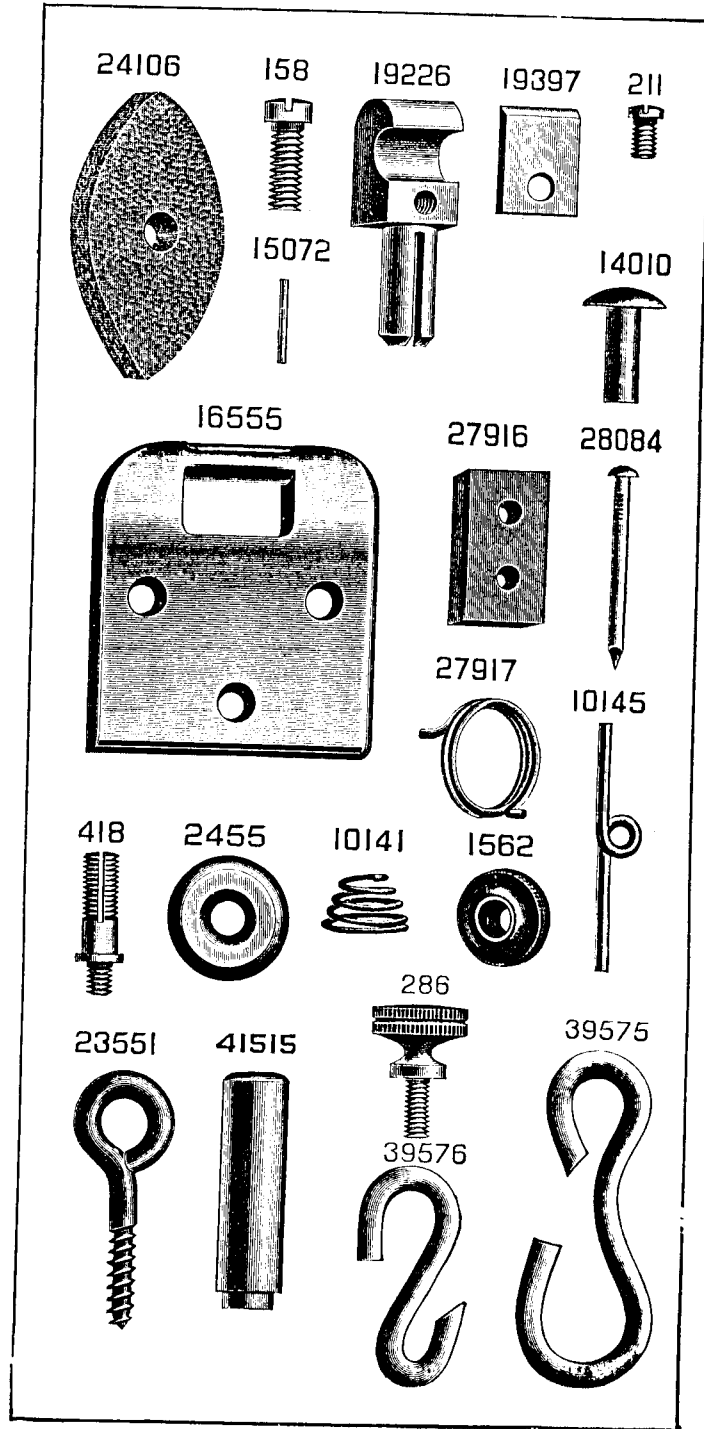


PLATE 4047—ONE-FOURTH SIZE

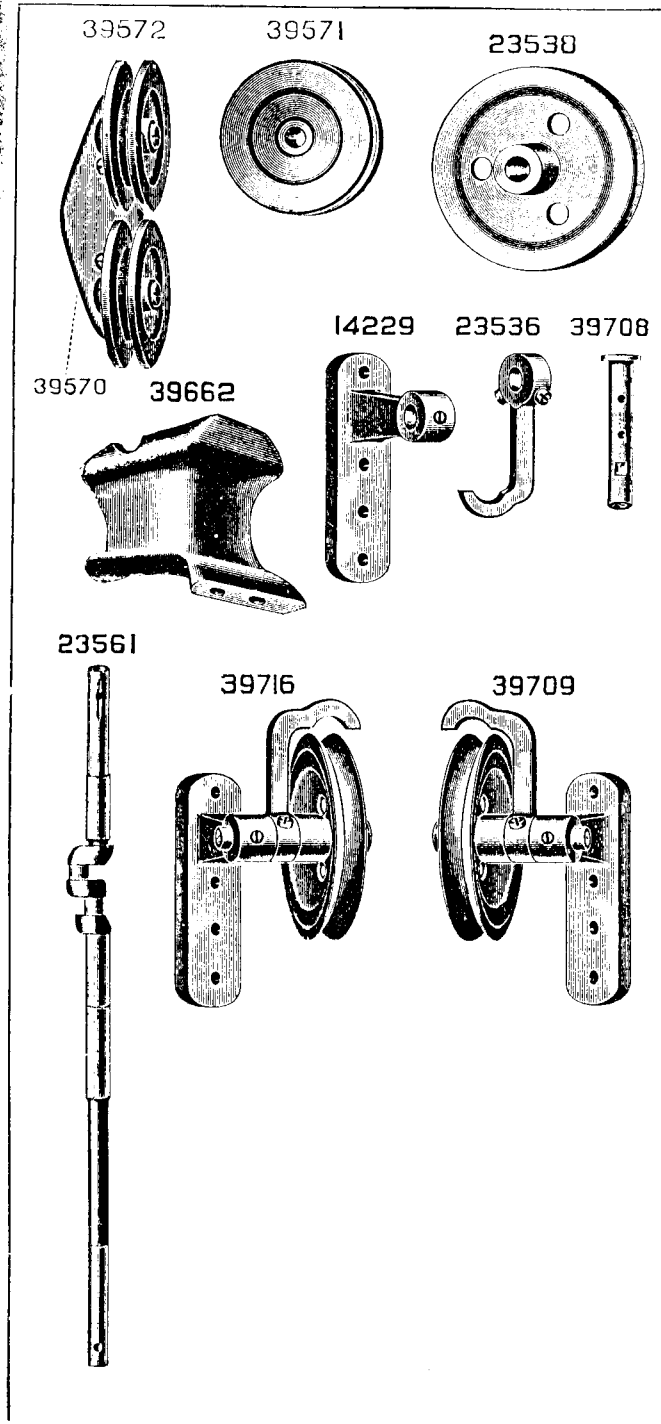


PLATE 4083—FULL SIZE

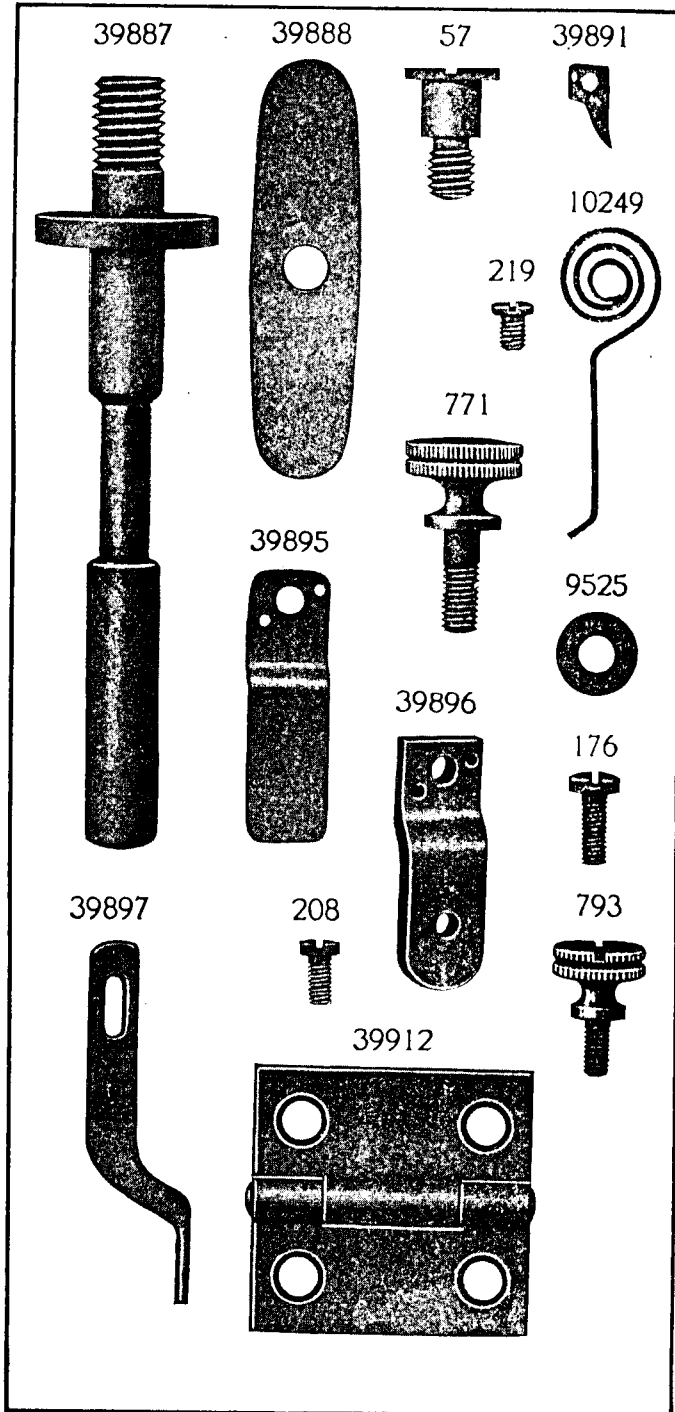


PLATE 4086—ONE-HALF SIZE

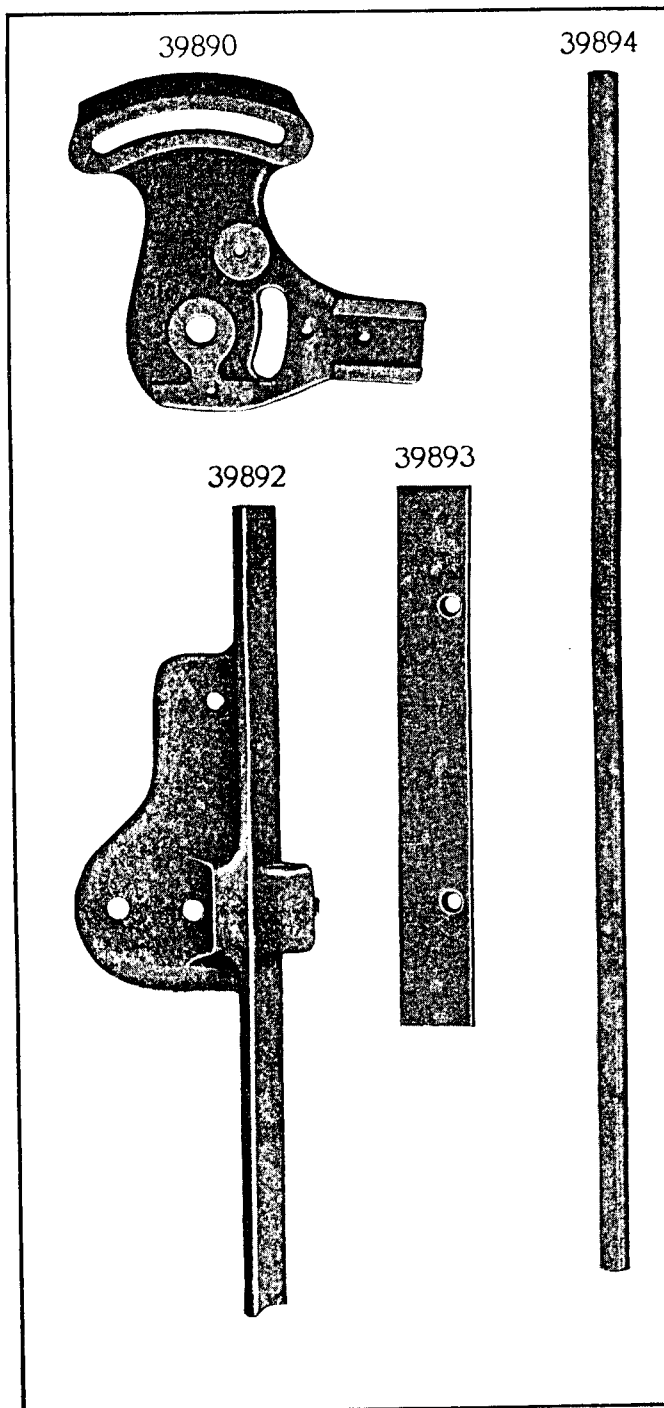


PLATE 4104—ONE-HALF SIZE

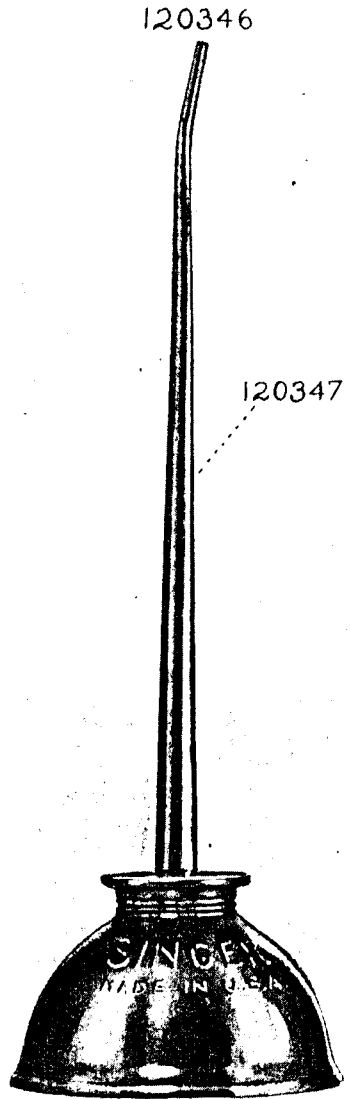


PLATE 11658—FULL SIZE

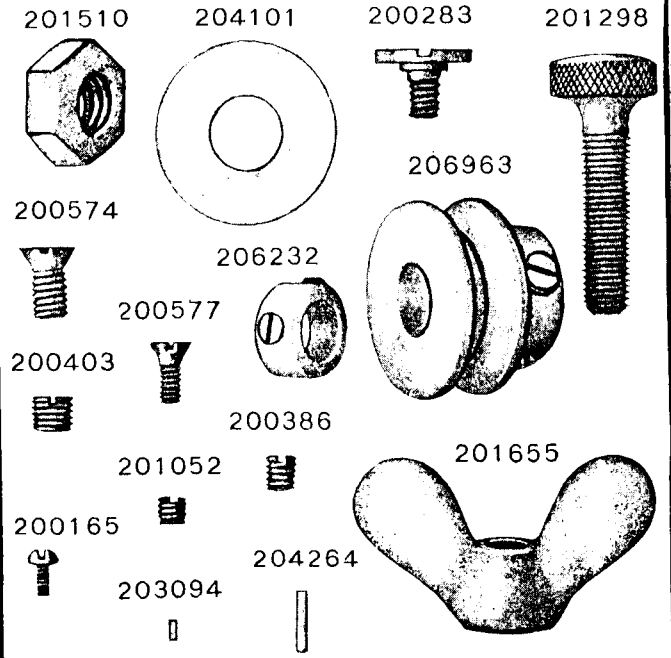


PLATE 14363—ONE-SIXTH SIZE

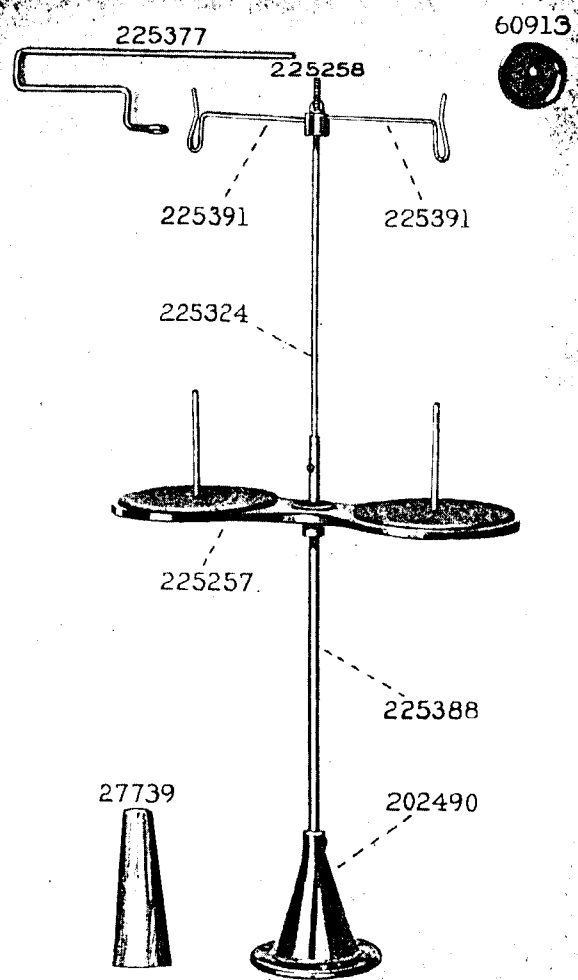


PLATE 14978—FULL SIZE

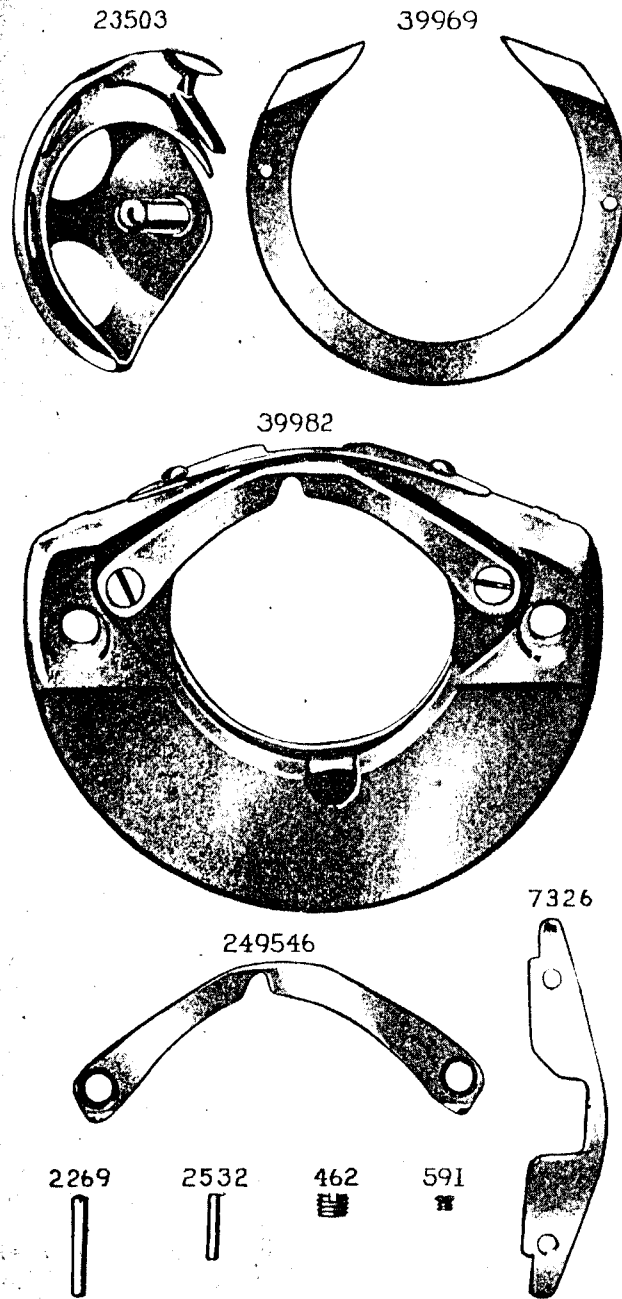


PLATE 14982—FULL SIZE

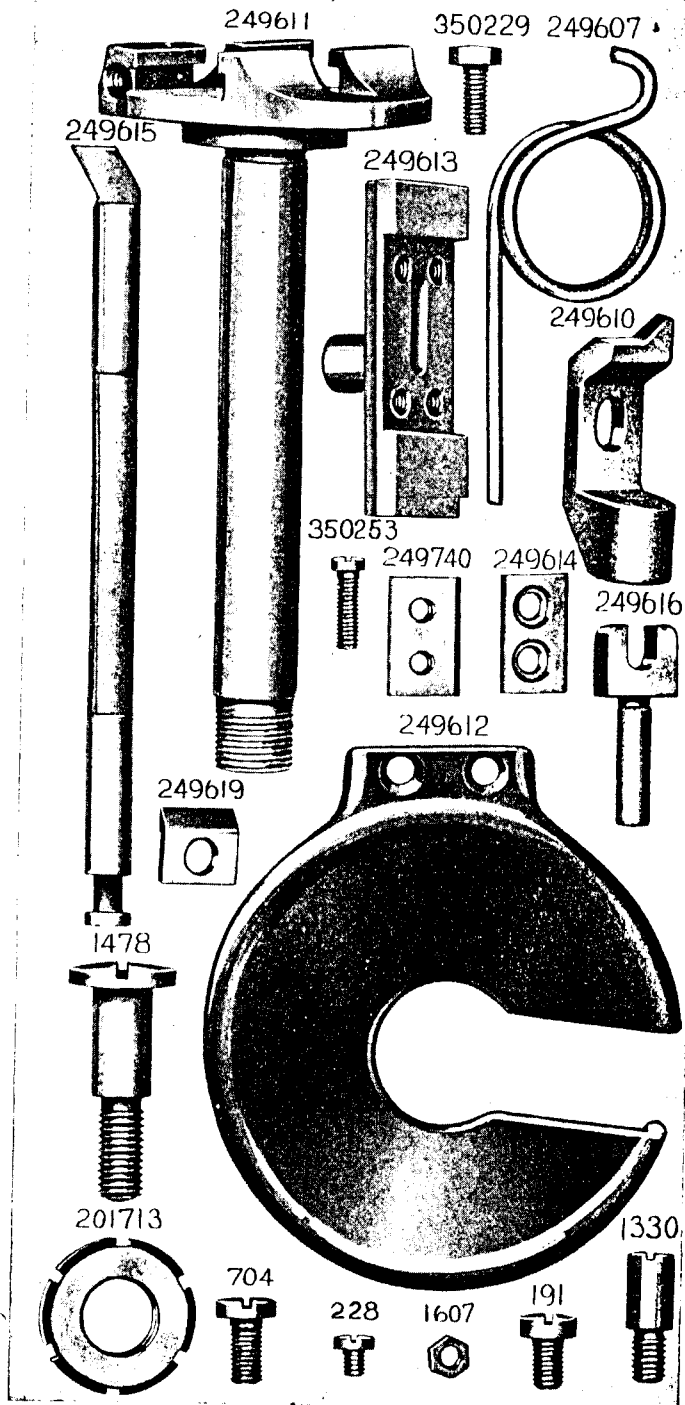
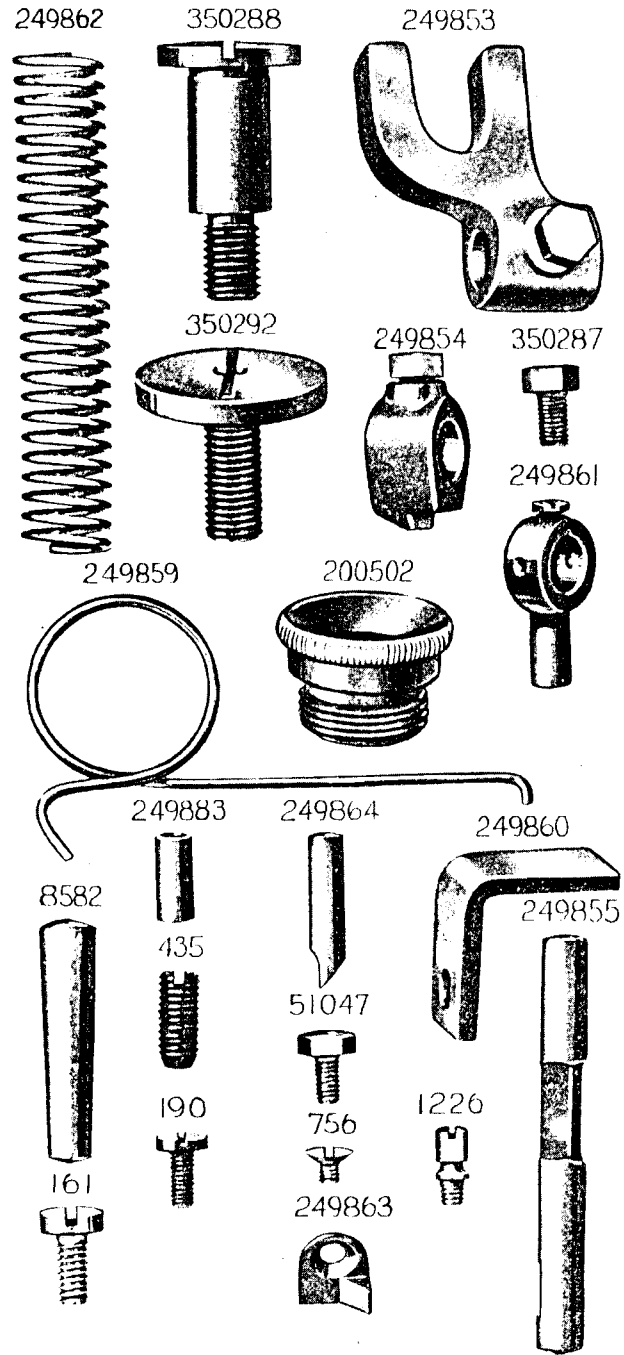


PLATE 14985—FULL SIZE



From the library of: Diamond Needle Corp

PLATE 14987—FULL SIZE

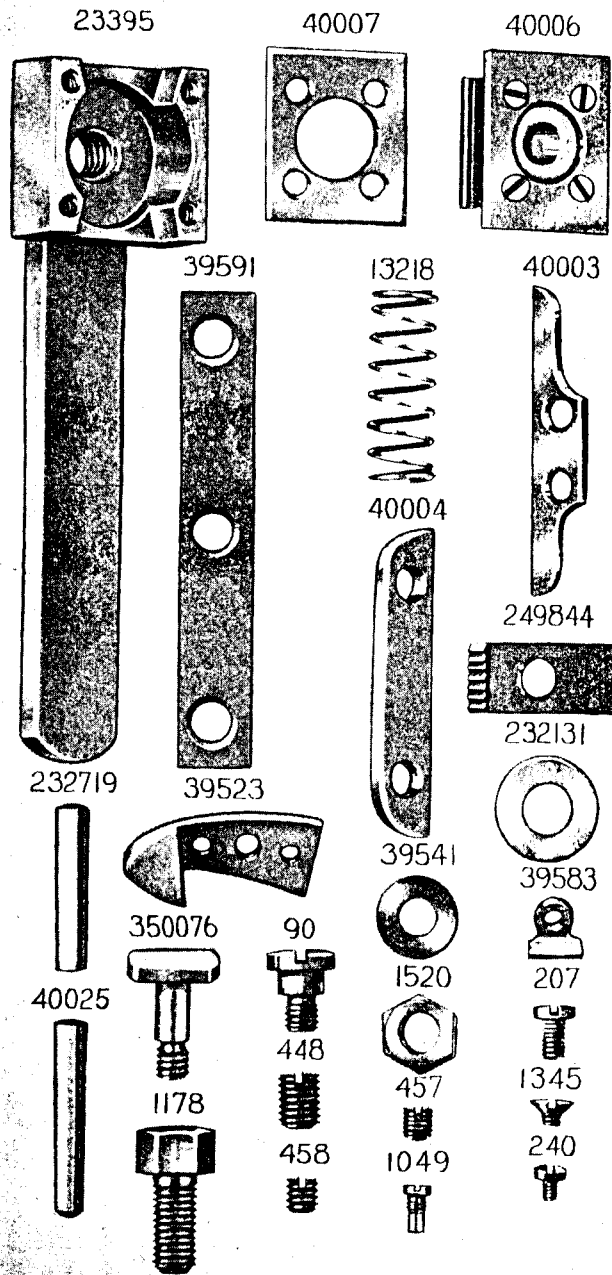


PLATE 14992—ONE-HALF SIZE

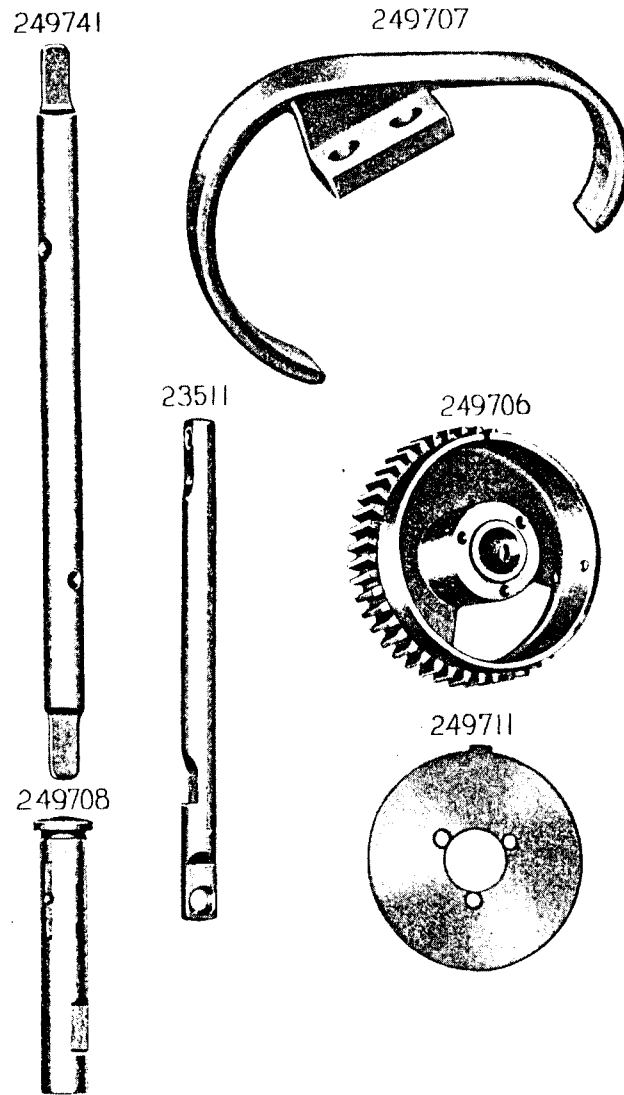


PLATE 14993—FULL SIZE

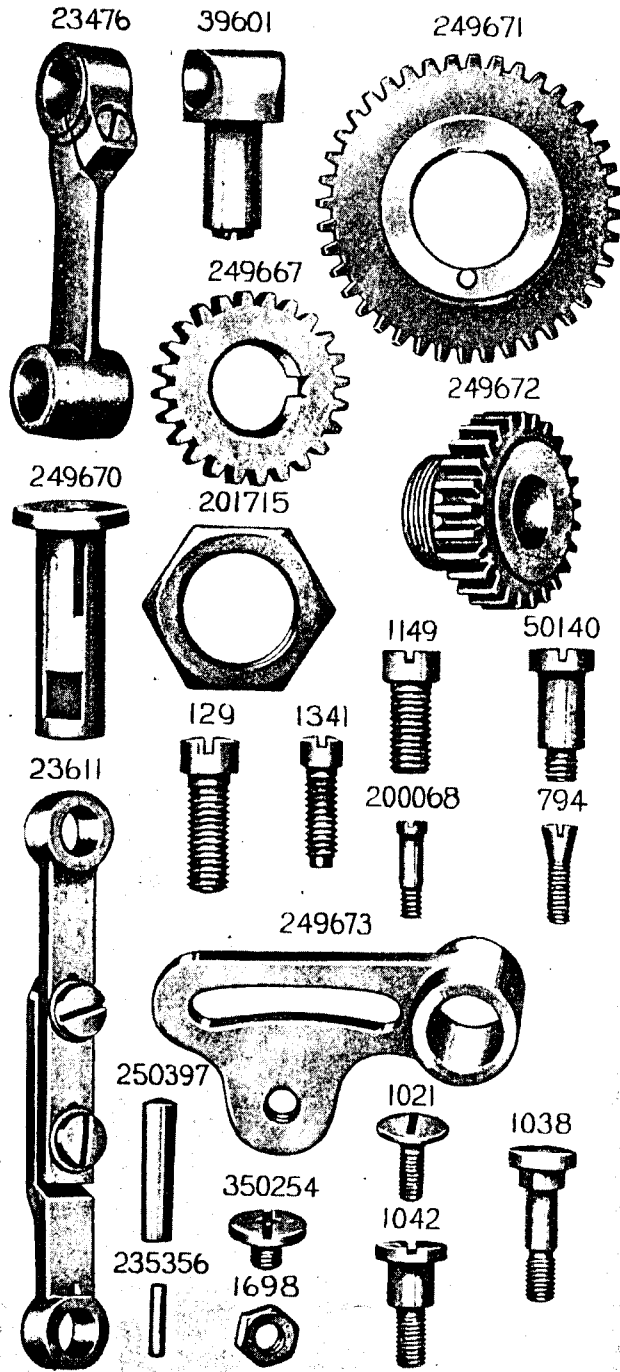
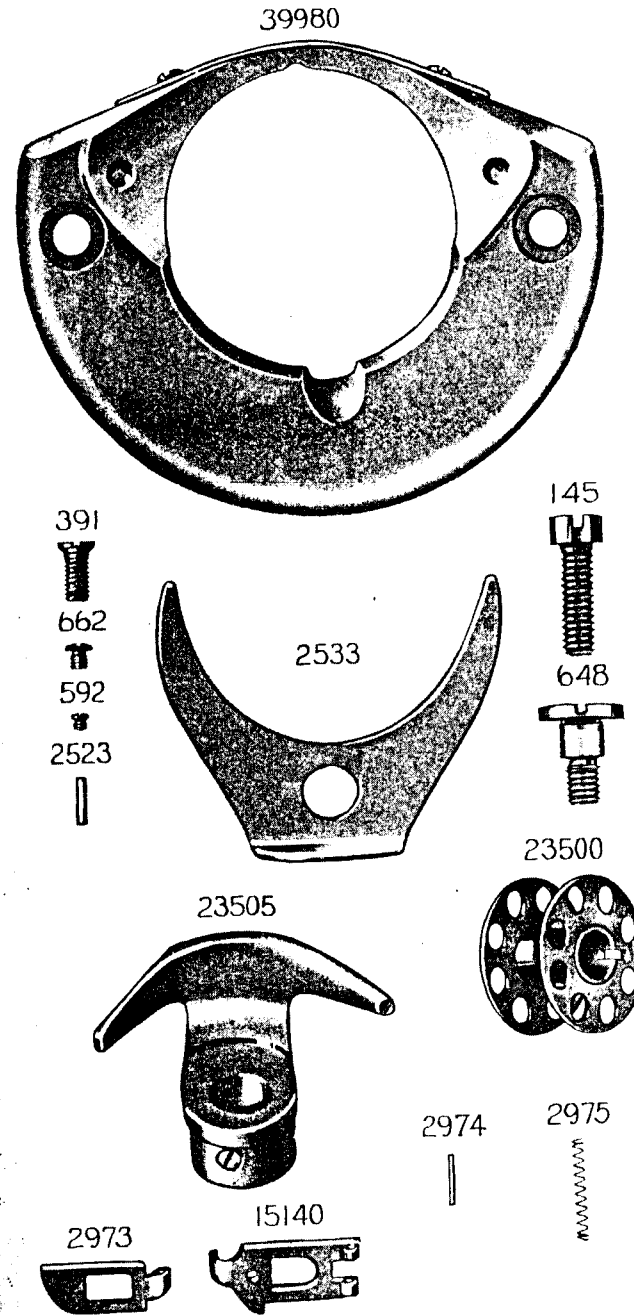


PLATE 14995—FULL SIZE



From the library of: Diamond Needle Corp

PLATE 14996—FULL SIZE

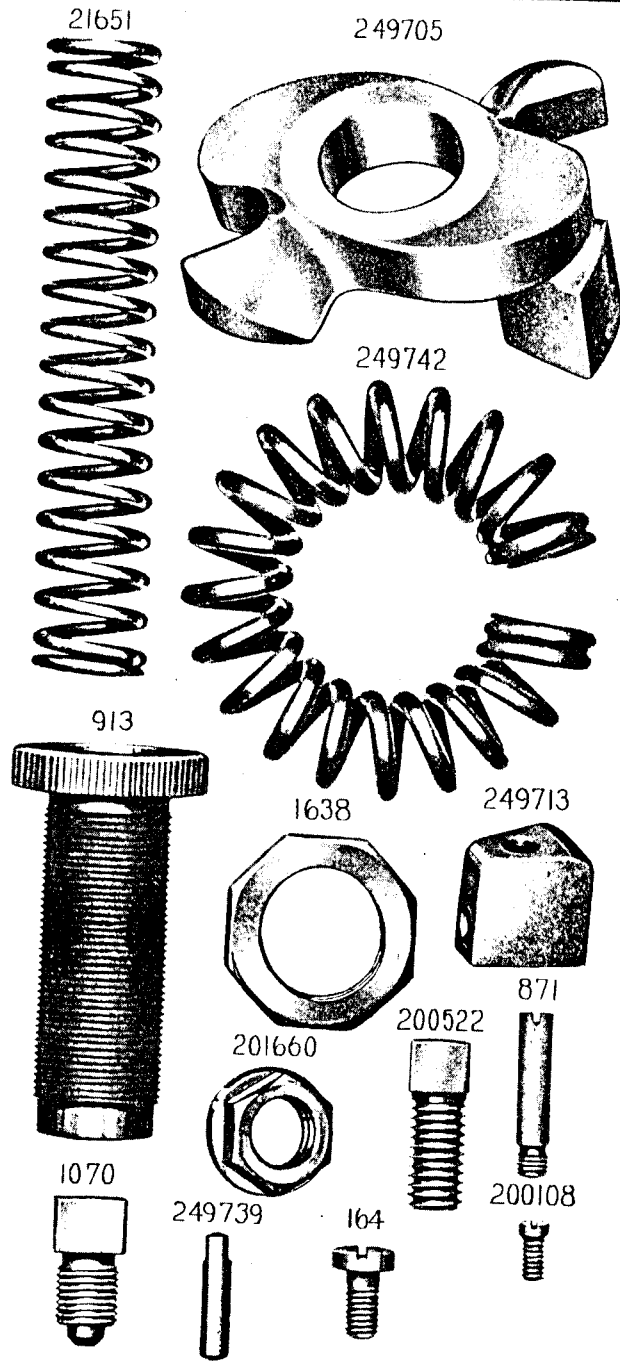
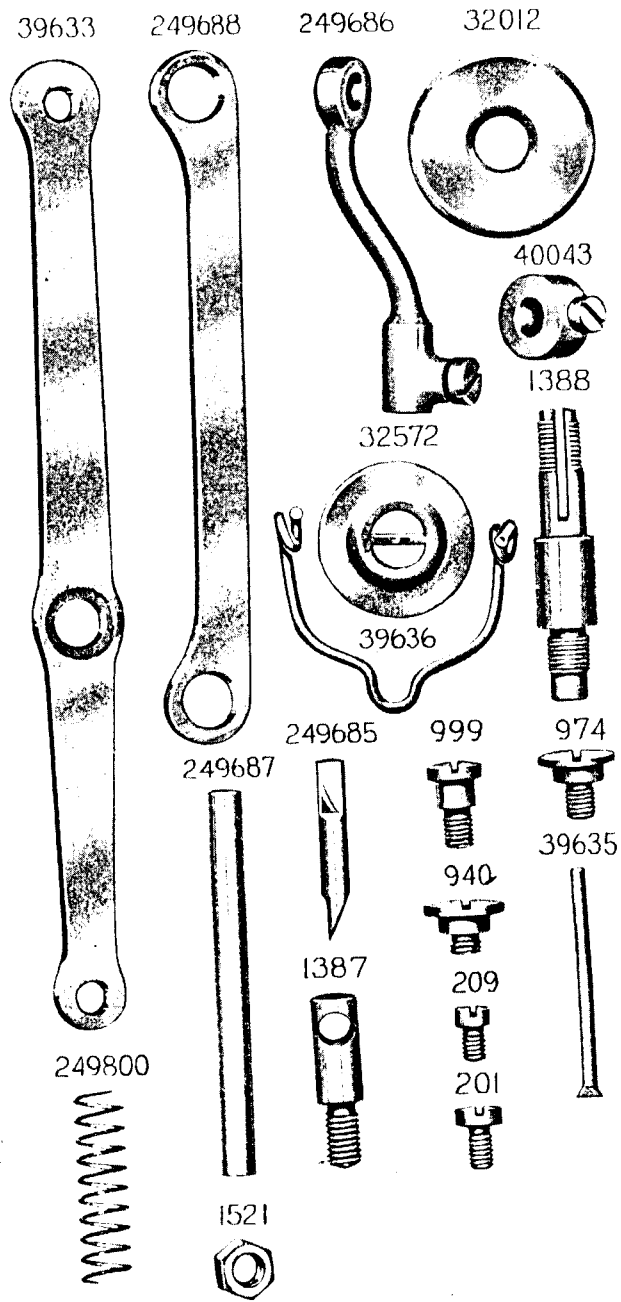


PLATE 14998—FULL SIZE



From the library of: Diamond Needle Corp

PLATE 15007—ONE-HALF SIZE

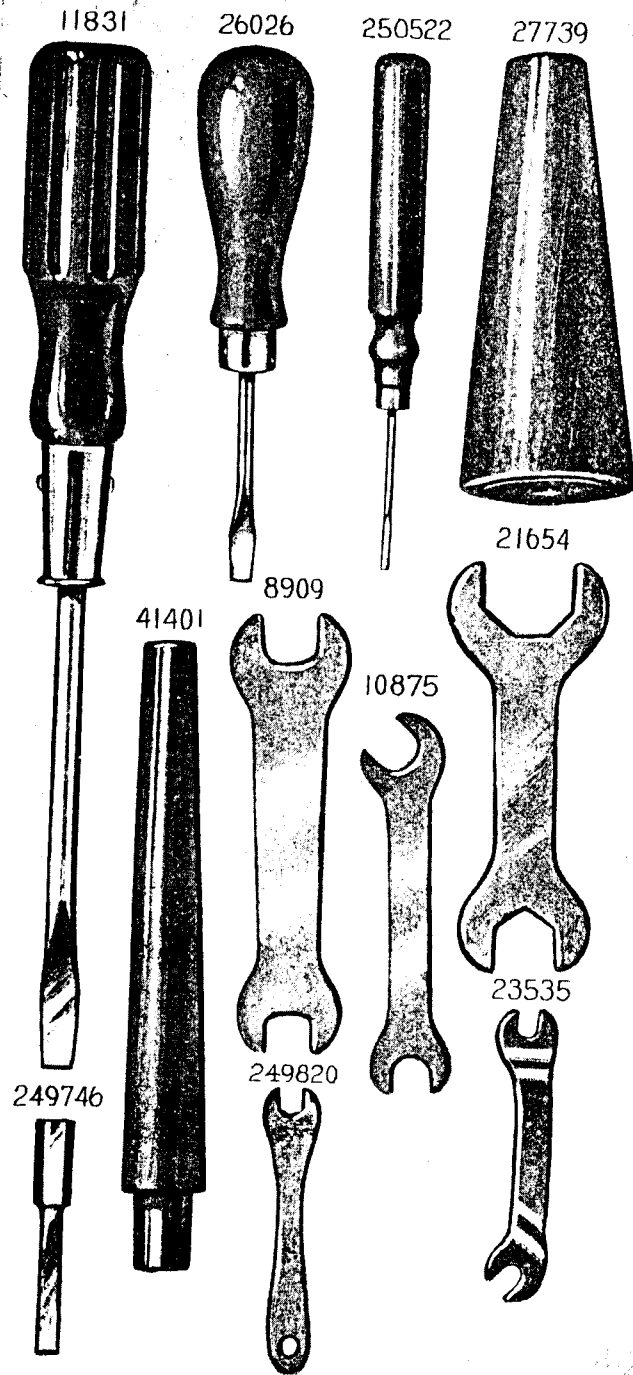


PLATE 15008—ONE-HALF SIZE

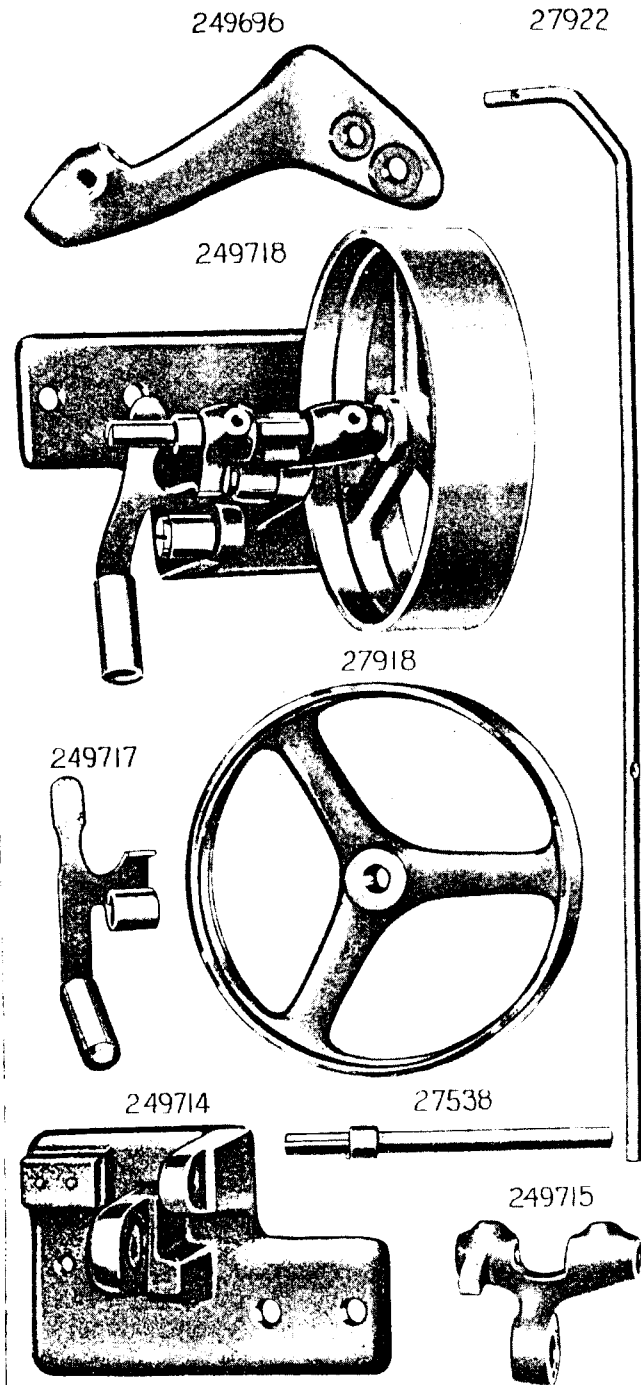


PLATE 15025—ONE-FOURTH SIZE

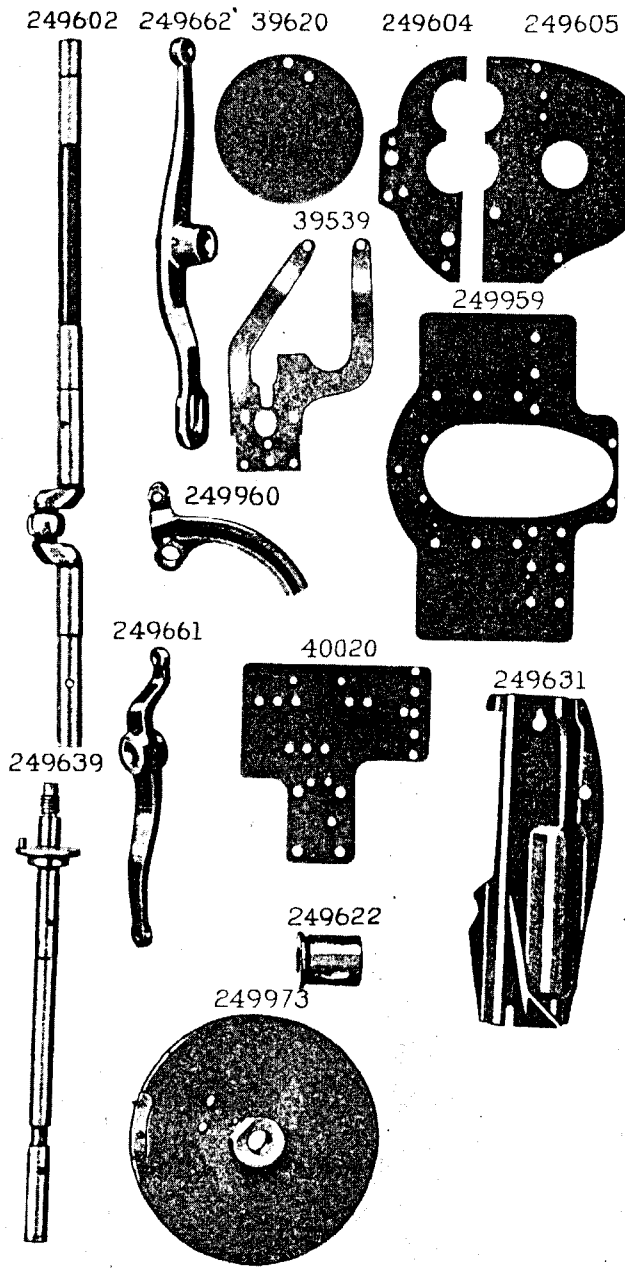


PLATE 15026—FULL SIZE

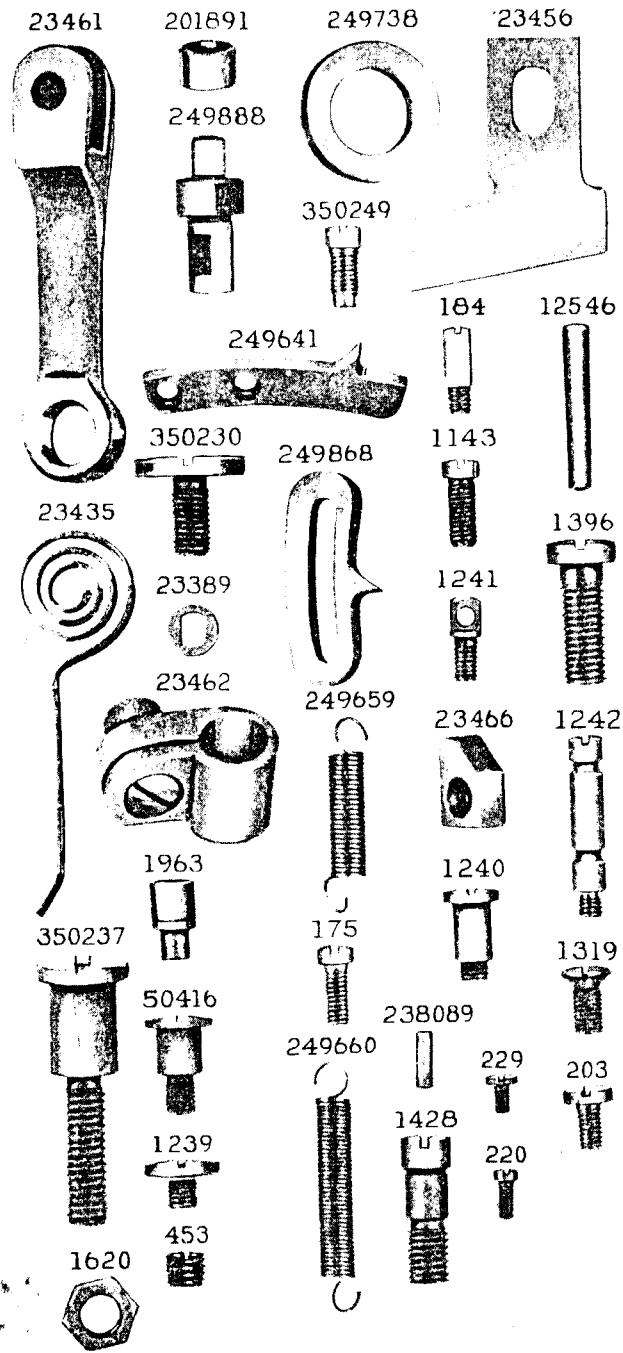


PLATE 15027—ONE-HALF SIZE

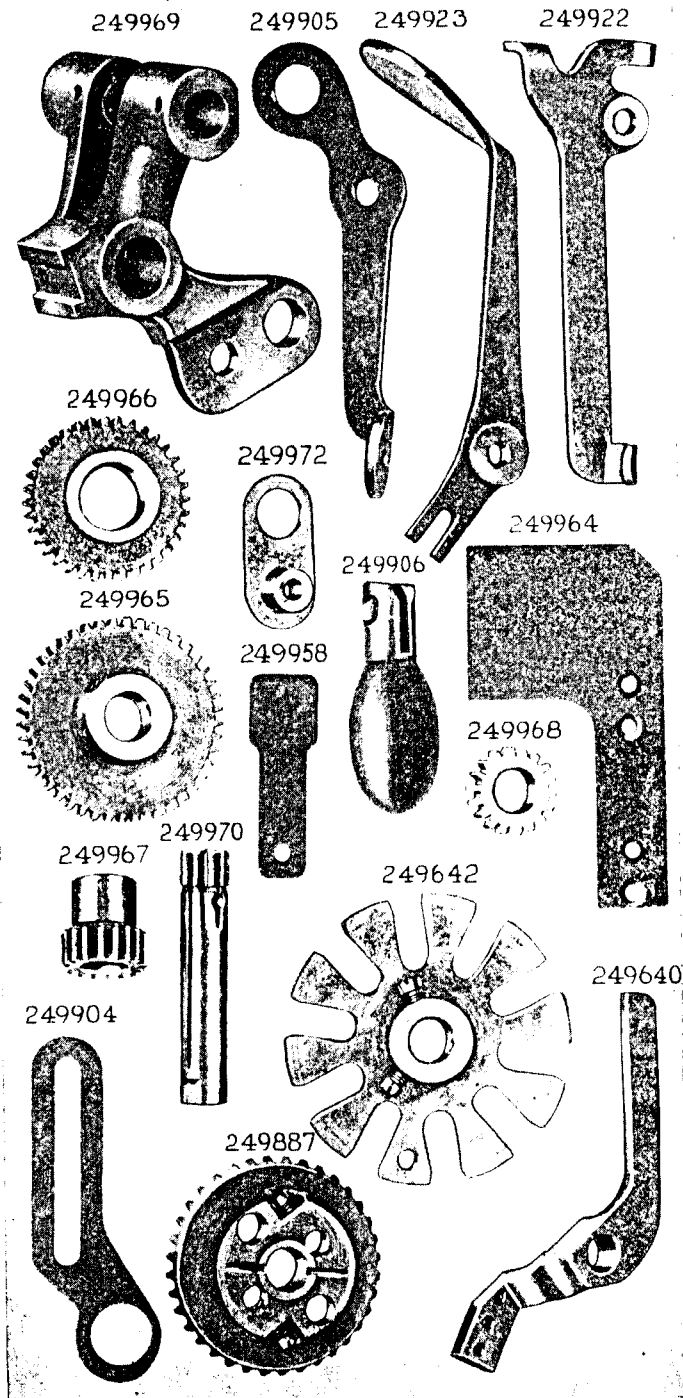


PLATE 15028—FULL SIZE

